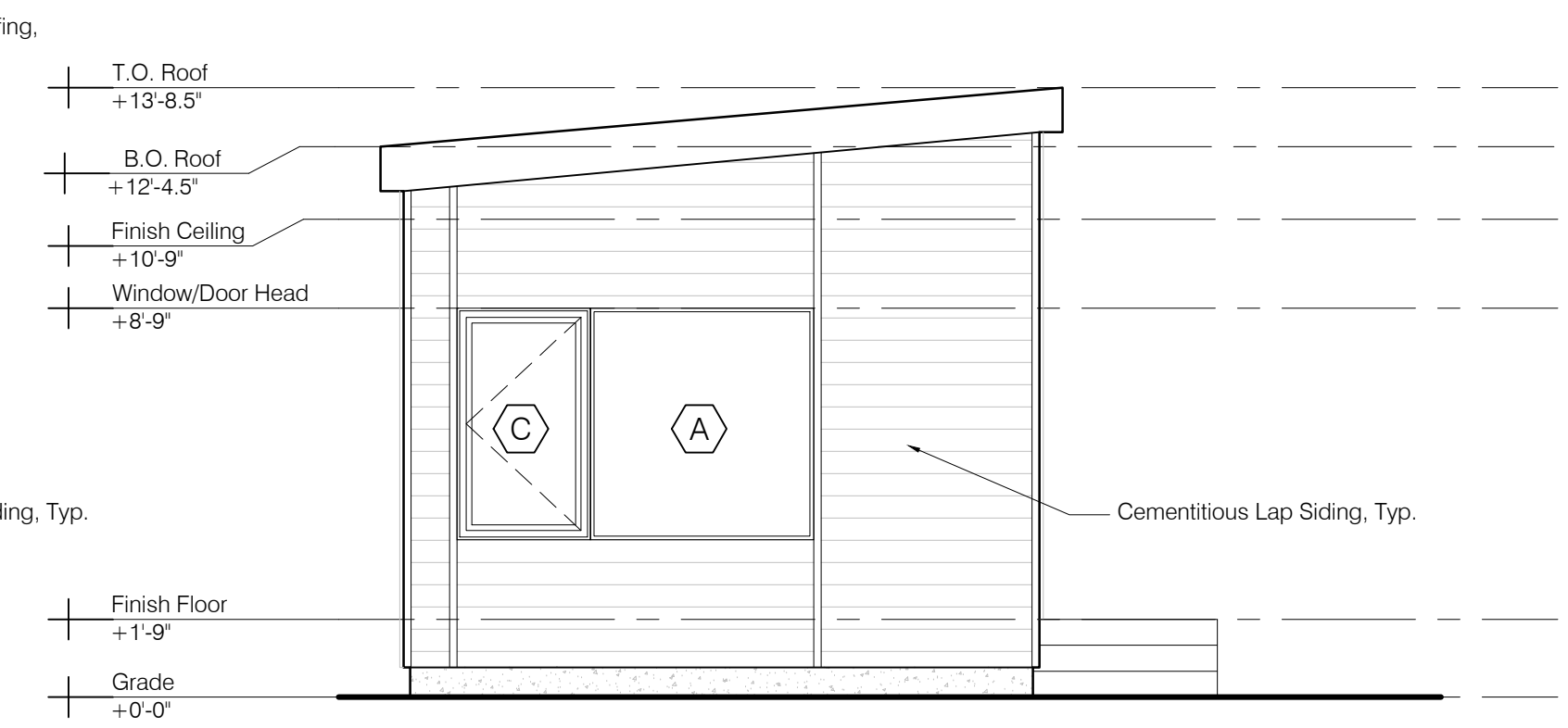


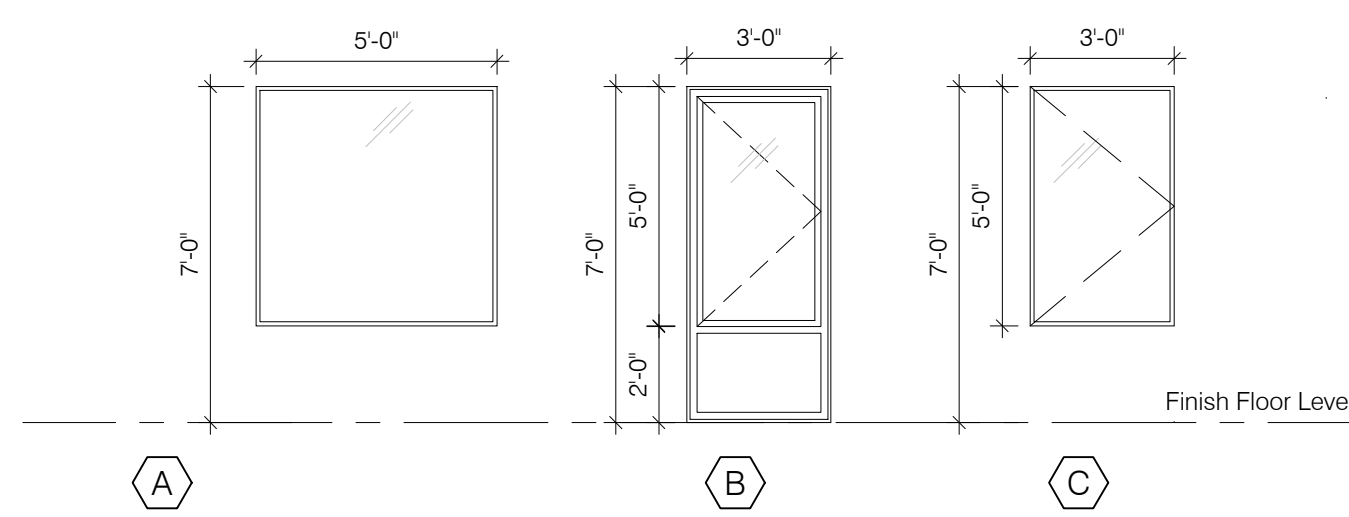
| Revision |        |
|----------|--------|
| Date:    | Issue: |
|          |        |



**4 West Elevation**  
A2.01 1/4"=1'-0"

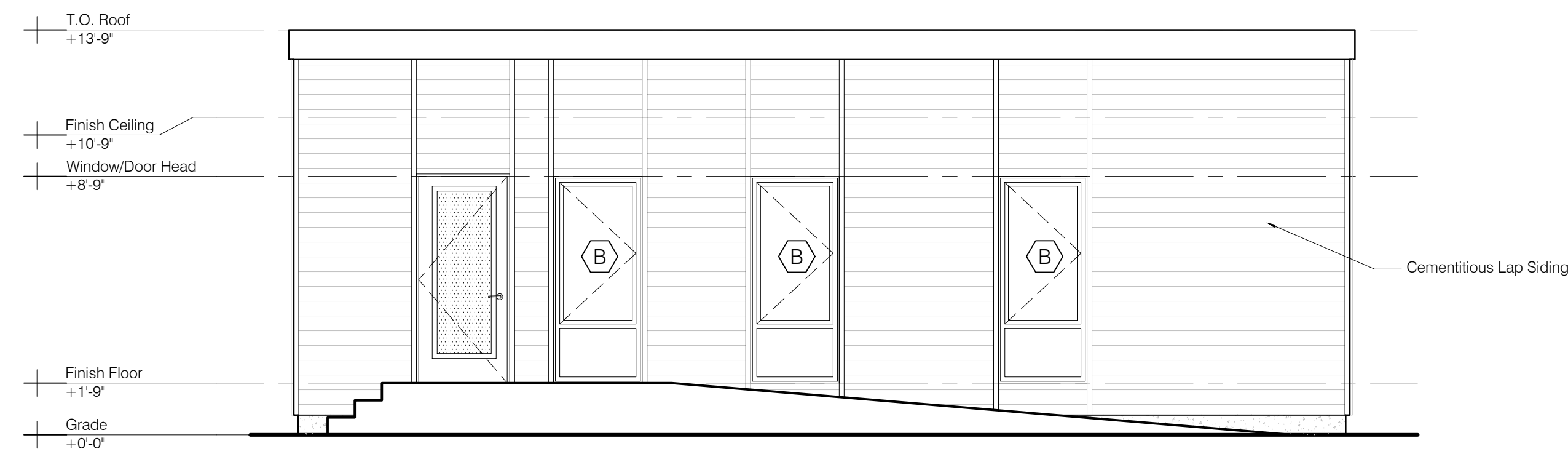


**2 South Elevation**  
A2.01 1/4"=1'-0"

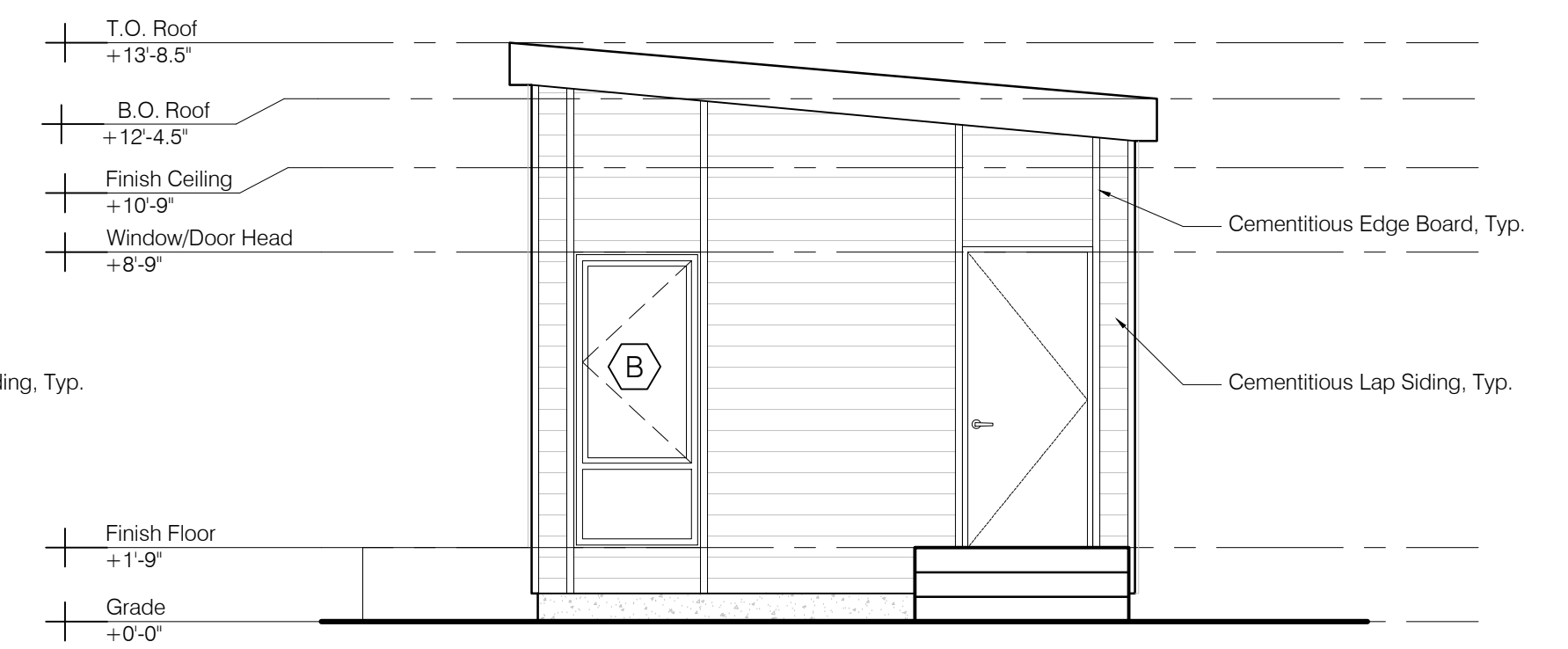


| Window |          |       |        |                |             |           |         |
|--------|----------|-------|--------|----------------|-------------|-----------|---------|
| Type   | Material | Width | Height | Sash           | T.O. Window | U-Factors | Details |
| A      | Vinyl    | 5'-0" | 5'-0"  | Fixed          | 7'-0" AFF   | .28       | Details |
| B      | Vinyl    | 3'-0" | 7'-0"  | Casement/Fixed | 7'-0" AFF   | .28       |         |
| C      | Vinyl    | 3'-0" | 5'-0"  | Casement       | 7'-0" AFF   | .28       |         |

**5 Window Schedule**  
A2.01 1/4"=1'-0"



**3 East Elevation**  
A2.01 1/4"=1'-0"



**1 North Elevation**  
A2.01 1/4"=1'-0"