

Project		Catalog #		Type	
Prepared by		Notes		Date	



McGraw-Edison

TT TopTier

Parking Garage / Canopy
Low-Bay Luminaire

Typical Applications

Parking Garages • Parking Lots

Interactive Menu

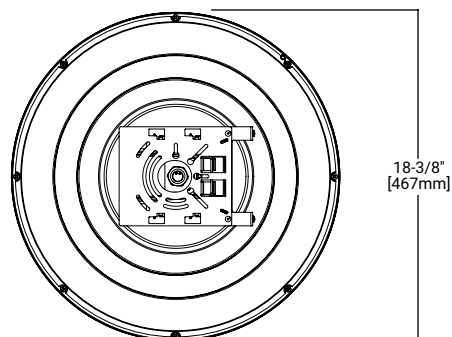
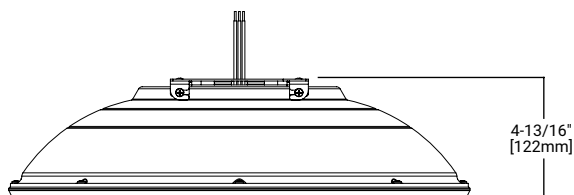
- Ordering Information [page 2](#)
- Product Specifications [page 2](#)
- Optical Configurations [page 2](#)
- Mounting Details [page 3](#)
- Energy and Performance Data [page 4](#)
- Control Options [page 6](#)

Quick Facts

- Lumen packages range from 3,000 - 13,300
- Efficacies up to 146 lumens per watt
- Utilizes patented waveguide technology for maximum visual comfort
- Surface, pendant, trunnion, wall and direct conduit mount options

Dimensional Details

SURFACE MOUNT



Product Certifications / Features



Connected Systems

- WaveLinX Lite
- Synapse
- Enlighted

Ordering Information

SAMPLE NUMBER: TT-D3-740-U-WQ-STM-30L-AP

Product Family	Configuration	Color Temperature	Voltage	Distribution	Mounting	Lead Length ⁷	Finish
TT=TopTier ¹	D1=4,000 Nominal Lumens D2=5,500 Nominal Lumens D3=6,500 Nominal Lumens D4=8,000 Nominal Lumens D5=10,000 Nominal Lumens D6=13,000 Nominal Lumens	735=70 CRI, 3500K CCT 740=70 CRI, 4000K CCT 750=70 CRI, 5000K CCT 830=80 CRI, 3000K CCT	U=120-277V H=347-480V ^{22, 26} 1=120V 4=277V 8=480V 9=347V	CQ=Concentrated MQ=Medium WQ=Wide RW=Rectangular Wide DL=Drive Lane / Type 4 ³	[Blank]=Surface Mount ¹⁶ TMB=Trunnion Mount with Connection Box DPM=Decorative Pendant Mount ⁴ WM=Wall Mount STM=Stem Mount to 1/2" conduit ¹⁶	[Blank]=6" 30L=30" 36L=36" 48L=48" 72L=72" 108L=108" 120L=120" 144L=144"	NW=White AP=Grey BZ=Bronze BK=Black DP=Dark Platinum GM=Graphite Metallic
Options (Add as Suffix)				Accessories (Order Separately)			
F=Single Fuse (120, 277 or 347V Specify Voltage) FF=Double Fuse (208, 240 or 480V Specify Voltage) IBP=Integral Battery Pack ^{5, 24} IBP-CEC=Integral Battery Pack, CEC compliant ⁵ ITS=Integral Transfer Switch ¹⁰ 924=UL924 listed luminaire ¹⁹ CG=Clear Glass ⁸ SG=Solite® Glass ⁹ UPL=Uplight ⁶ TR=Tamper Resistant Hardware NAT=Natatorium finish DALI=DALI Driver ¹⁵ MS/DIM-L08=Dimming Occupancy Sensor (<9' Mounting) ^{11, 17} MS/DIM-L20=Dimming Occupancy Sensor (9' - 20' Mounting) ^{11, 17} ZW=WaveLinX-Enabled Module and 4-PIN Receptacle ²³ ZD=WaveLinX-Enabled Module with DALI Driver and 4-PIN Receptacle ²³ ZW-SWPD4XX=WaveLinX Control Module and Wireless Sensor - 7'-15' ²¹ ZW-SWPD5XX=WaveLinX Control Module and Wireless Sensor - 15'-40' ²¹ ZW-WOBXX=WaveLinX Control Module and LC Bluetooth Sensor - 7'-15' ²¹ ZW-WOFXX=WaveLinX Control Module and LC Bluetooth Sensor - 15'-40' ²¹ ZD-SWPD4XX=WaveLinX with DALI Driver and Wireless Sensor - 7'-15' ²¹ ZD-SWPD5XX=WaveLinX with DALI Driver and Wireless Sensor - 15'-40' ²¹ ZD-WOBXX=WaveLinX with DALI Driver and LC Bluetooth Sensor - 7'-15' ²¹ ZD-WOFXX=WaveLinX with DALI Driver and LC Bluetooth Sensor - 15'-40' ²¹ LWR-LW=Enlighted Wireless Sensor, Wide Lens 8' - 16' Mounting Height ^{11, 18} LWR-LN=Enlighted Wireless Sensor, Narrow Lens 16' - 40' Mounting Height ^{11, 18} DIM10-MS/DIM-L08=Synapse occupancy sensor (<8' Mounting) DIM10-MS/DIM-L20=Synapse occupancy sensor (8'-20' Mounting)				MA1252=Replacement 10kV Surge Module TT/WG=Wire Guard ²⁵ TT/BG-UP-XX=Bird Guard ^{12, 13} TT/HSS-XX=House Side Shield ²⁵ DPMS36-XX=36" Pendant Mount Stem ^{12, 14} DPMS48-XX=48" Pendant Mount Stem ^{12, 14} DPMS96-XX=96" Pendant Mount Stem ^{12, 14} FSIR-100=Wireless Configuration Tool for Occupancy Sensor ¹⁷ SWPD4-XX=WaveLinX Wireless Sensor, 7'-15' Mounting Height ^{20, 21, 22, 23} SWPD5-XX=WaveLinX Wireless Sensor, 15'-40' Mounting Height ^{20, 21, 22, 23}			
NOTES: 1. DesignLights Consortium® Qualified. Refer to www.designlights.org Qualified Products List under Family Models for details. 2. Only for use with 480V Wye systems. Per NEC, not for use with ungrounded systems, impedance grounded systems or corner grounded systems (commonly known as Three Phase Three Wire Delta, Three Phase High Leg Delta and Three Phase Corner Grounded Delta systems). 3. D1-D4 lumen packages only. 4. Order Pendant Mount Stem accessory. 5. IBP ambient operating temperature -20°C to 35°C (D1-D3), -20°C to 25°C (D4-D6). Not available with DALI. 6. Additional 8.0W. Provides 920 lumens. 7. Choose lead length for Surface Mount and Stem Mount only. TMB, DPM and WM lengths predetermined. 8. Not available with CQ. 9. Standard with CQ, option available with WQ only. 10. U voltage only. Ambient operating temperature -20°C to 50°C (D1-D4) or -20°C to 40°C (D5-D6). UL924 listed component. 11. Includes integral photocell. 12. Specify color in place of XX. 13. Designed for use with Stem Mount and Decorative Pendant Mount only. 14. Designed for use with Decorative Pendant Mount only. 15. Not available with H voltage or IBP. Not compatible with MS/DIM or LWR sensors. 16. Specify Lead Length for wire harness length. 17. The FSIR-100 configuration tool is required to adjust parameters including high and low modes, sensitivity, time delay and more. 18. Enlighted wireless sensors are factory installed only, and require network components in appropriate quantities. 19. 924 option provides luminaire UL924 listing, used in conjunction with ITS or IBP-CEC. 20. Requires ZW or ZD receptacle. 21. Replace XX with sensor color (WH, BZ or BK.) 22. Cannot be used with other control options. 23. For WaveLinX applications, WAC Gateway required to enable field-configurability: Order WAC-PoE and WPOE-120 (10V to PoE injector) power supply if needed. Not required for WaveLinX Lite Commercial (LC) applications. 24. Specify 120V or 277V. 25. TT/WG and TT/HSS cannot be installed together. 26. D4-D6 only. Not compatible with battery.							

Product Specifications

Construction

- Low copper content, die-cast aluminum housing provides a clean, symmetric aesthetic

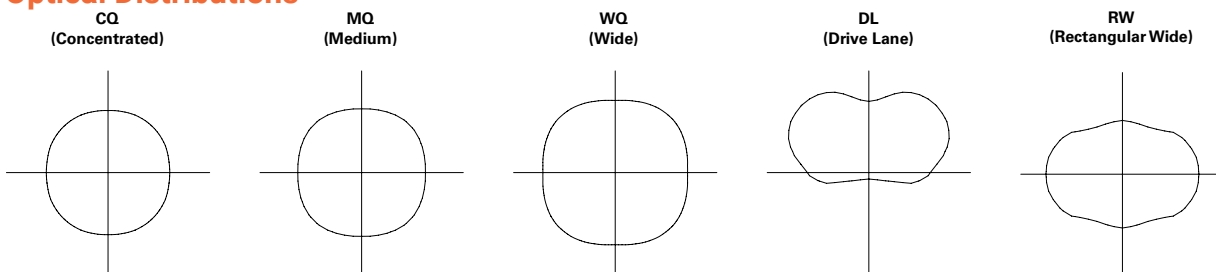
Optics

- Five optical distributions utilizing patented visual comfort WaveStream™ technology
- Six lumen packages, ranging from 3,000 to 13,300
- Integral uplight option utilizes a dedicated, 8W light engine, producing 920 lumens for reduced visual contrast and cave effect
- IDA Certified for 3000k CCT and warmer only. Not available with uplight option.

Electrical

- -40°C - 50°C operating temperature

Optical Distributions



- Greater than 90% lumen maintenance at 60,000 hours
- IP66 rated
- 120-277V 50/60Hz, 347V 60Hz or 480V 60Hz operation
- 10kV surge module standard
- 0-10V dimming standard

Mounting

- Surface mount directly to square or octagonal 4" surface or recessed junction box using quick mount bracket
- Optional stem mount bracket with set screw for direct 1/2" NPS conduit mounting
- Trunnion, decorative pendant, and wall mount options also available

Finish

- 2.5 mil nominal TGIC powder coat thickness
- Finishes include white, black, bronze, gray, dark platinum and graphite metallic
- RAL and custom color matches available
- Natatorium option (NAT) available, providing 5,000 hour salt spray rating per ASTM B117, with a scribe rating of 9 per ASTM D1654

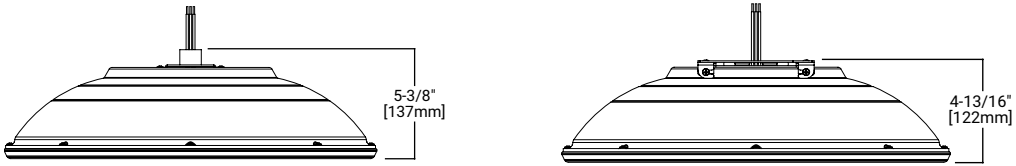
Warranty

- Five-year warranty

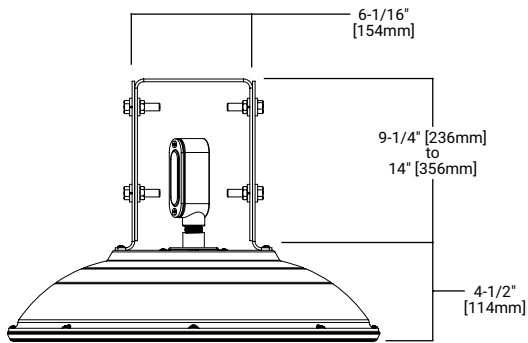
Mounting Details

*Base luminaire weight: 18.2 lbs

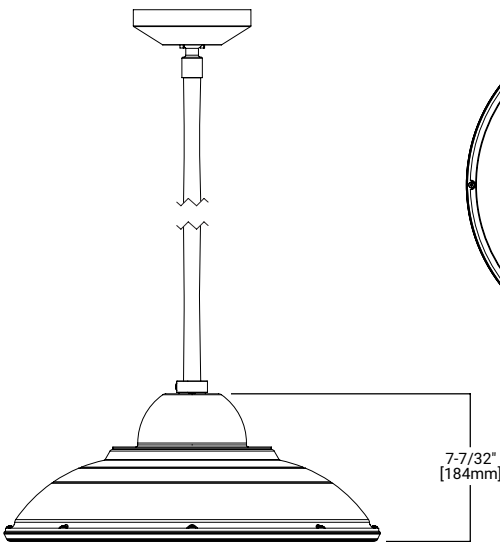
Stem Mount



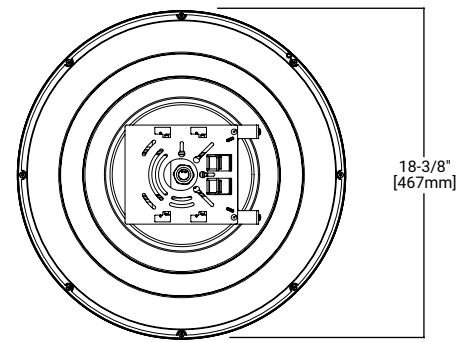
Trunnion Mount



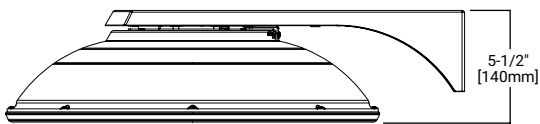
Decorative Pendant Mount



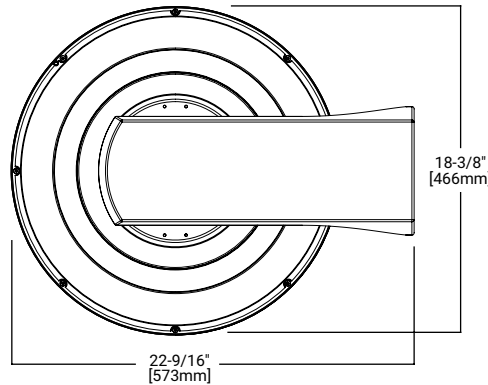
Top View



Wall Mount

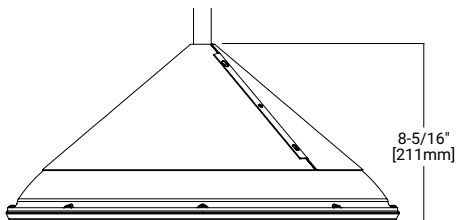


Top View - Wall Mount

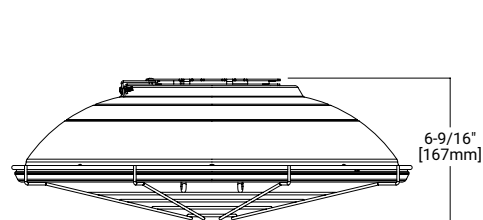


Accessories

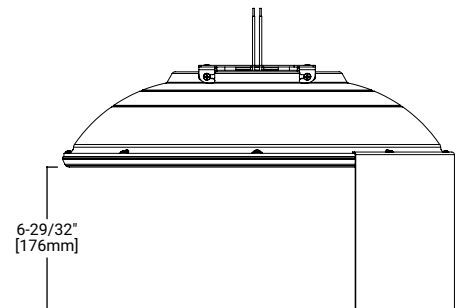
Bird Guard (TT/BG-UP-XX)



Wire Guard (TT/WG)



House Side Shield (TT/HSS-XX)



Energy and Performance Data

[View TopTier IES files](#)

Power and Lumens (3000K/3500K/4000K/5000K)

Lumen Package		D1	D2	D3	D4	D5	D6	
Power (Wattage) CQ, MQ, WQ, RW		28.0	39.2	47.2	57.6	74.7	105.2	
Power (Wattage) DL Only		28.8	40.5	48.8	59.8	--	--	
Distribution								
3000K CCT 80 CRI	CQ Concentrated	Lumens	3,409	4,640	5,595	6,660	8,383	11,030
		BUG Rating	B1-U0-G1	B2-U0-G1	B2-U0-G1	B2-U0-G1	B3-U0-G1	B3-U0-G2
		Lumens per Watt	122	118	119	116	112	105
	MQ Medium	Lumens	3,647	4,964	5,986	7,125	8,969	11,800
		BUG Rating	B2-U0-G1	B2-U0-G2	B3-U0-G2	B3-U0-G2	B3-U0-G2	B3-U0-G3
		Lumens per Watt	130	127	127	124	120	112
	WQ Wide	Lumens	3,449	4,695	5,662	6,740	8,483	11,161
		BUG Rating	B2-U0-G1	B3-U0-G2	B3-U0-G2	B3-U0-G2	B3-U0-G2	B3-U0-G3
		Lumens per Watt	123	120	120	117	114	106
	RW Rectangular Wide	Lumens	2,757	3,753	4,526	5,387	6,781	8,922
		BUG Rating	B2-U0-G2	B3-U0-G2	B3-U0-G2	B3-U0-G3	B3-U0-G3	B3-U0-G3
		Lumens per Watt	98	96	96	94	91	85
	DL Drive Lane / Type 4	Lumens	2,959	3,985	4,762	5,622	--	--
		BUG Rating	B1-U0-G2	B2-U0-G3	B2-U0-G3	B2-U0-G3	--	--
		Lumens per Watt	103	98	98	94	--	--
3500K CCT 70 CRI	CQ Concentrated	Lumens	3,618	4,925	5,940	7,070	8,899	11,708
		BUG Rating	B1-U0-G1	B2-U0-G1	B2-U0-G1	B2-U0-G1	B3-U0-G1	B3-U0-G2
		Lumens per Watt	129	126	126	123	119	111
	MQ Medium	Lumens	3,872	5,270	6,355	7,564	9,520	12,527
		BUG Rating	B2-U0-G2	B2-U0-G2	B3-U0-G2	B3-U0-G2	B3-U0-G3	B3-U0-G3
		Lumens per Watt	138	134	135	131	127	119
	WQ Wide	Lumens	3,662	4,984	6,011	7,154	9,005	11,848
		BUG Rating	B2-U0-G1	B3-U0-G2	B3-U0-G2	B3-U0-G2	B3-U0-G3	B4-U0-G3
		Lumens per Watt	131	127	127	124	121	113
	RW Rectangular Wide	Lumens	2,927	3,984	4,805	5,719	7,198	9,471
		BUG Rating	B2-U0-G2	B3-U0-G2	B3-U0-G2	B3-U0-G3	B3-U0-G3	B4-U0-G3
		Lumens per Watt	105	102	102	99	96	90
	DL Drive Lane / Type 4	Lumens	3,141	4,230	5,055	5,968	--	--
		BUG Rating	B1-U0-G2	B2-U0-G3	B2-U0-G3	B2-U0-G3	--	--
		Lumens per Watt	109	104	104	100	--	--
4000K/ 5000K CCT 70 CRI	CQ Concentrated	Lumens	3,828	5,211	6,284	7,480	9,415	12,387
		BUG Rating	B1-U0-G1	B2-U0-G1	B2-U0-G1	B2-U0-G1	B3-U0-G1	B3-U0-G2
		Lumens per Watt	137	133	133	130	126	118
	MQ Medium	Lumens	4,096	5,575	6,723	8,002	10,072	13,253
		BUG Rating	B2-U0-G2	B2-U0-G2	B3-U0-G2	B3-U0-G2	B3-U0-G3	B3-U0-G3
		Lumens per Watt	146	142	142	139	135	126
	WQ Wide	Lumens	3,874	5,273	6,359	7,569	9,527	12,535
		BUG Rating	B2-U0-G1	B3-U0-G2	B3-U0-G2	B3-U0-G2	B3-U0-G3	B4-U0-G3
		Lumens per Watt	138	135	135	131	128	119
	RW Rectangular Wide	Lumens	3,097	4,215	5,083	6,050	7,615	10,020
		BUG Rating	B2-U0-G2	B3-U0-G2	B3-U0-G2	B3-U0-G3	B3-U0-G3	B4-U0-G3
		Lumens per Watt	111	108	108	105	102	95
	DL Drive Lane / Type 4	Lumens	3,323	4,475	5,348	6,314	--	--
		BUG Rating	B1-U0-G2	B2-U0-G3	B2-U0-G3	B2-U0-G3	--	--
		Lumens per Watt	115	110	110	106	--	--

Energy and Performance Data

CQ, MQ, WQ and RW Distributions

Lumen Package	D1	D2	D3	D4	D5	D6
Power (Wattage)	28.0	39.2	47.2	57.6	74.7	105.2
Input Current @ 120V (A)	0.23	0.33	0.39	0.48	0.62	0.88
Input Current @ 208V (A)	0.13	0.19	0.23	0.28	0.36	0.51
Input Current @ 240V (A)	0.12	0.16	0.20	0.24	0.31	0.44
Input Current @ 277V (A)	0.10	0.14	0.17	0.21	0.27	0.38
Input Current @ 347V (A)	0.08	0.11	0.14	0.17	0.22	0.30
Input Current @ 480V (A)	0.06	0.08	0.10	0.12	0.16	0.22

DL Distributions

Lumen Package	D1	D2	D3	D4
Power (Wattage)	28.8	40.5	48.8	59.8
Input Current @ 120V (A)	0.24	0.34	0.41	0.50
Input Current @ 208V (A)	0.14	0.19	0.23	0.29
Input Current @ 240V (A)	0.12	0.17	0.20	0.25
Input Current @ 277V (A)	0.10	0.15	0.18	0.22
Input Current @ 347V (A)	0.08	0.12	0.14	0.17
Input Current @ 480V (A)	0.06	0.08	0.10	0.12

Lumen Maintenance

Ambient Temperature	25,000 hours*	50,000 hours*	60,000 hours*	100,000 hours**	Theoretical L70 hours**
25°C	98.0%	95.2%	94.1%	89.8%	> 300,000
40°C	97.9%	94.8%	93.6%	89.0%	> 290,000
50°C	97.7%	94.5%	93.2%	88.4%	> 270,000

* Supported by IES TM-21 standards

**Theoretical values represent estimations commonly used; however, refer to the IES position on LED Product Lifetime Prediction, IES PS-10-18, explaining proper use of IES TM-21 and LM-80

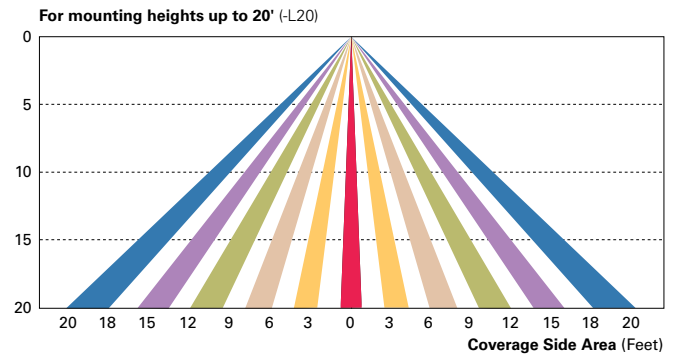
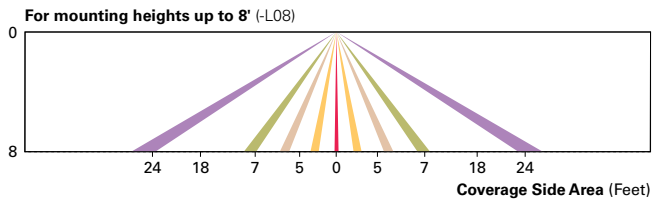
Lumen Multiplier

Ambient Temperature	Multiplier
0°C	1.03
10C	1.02
25°C	1.00
40°C	0.98
50°C	0.97

Control Options

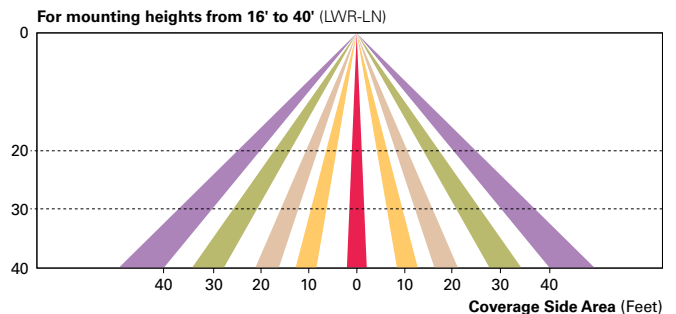
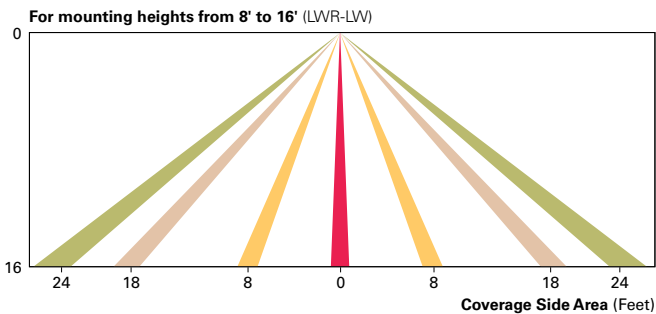
0-10V (D) 0-10V dimming comes standard on all TopTier configurations for use with integrated or external lighting controls.

Dimming Occupancy Sensor (MS/DIM) These sensors are factory installed in the luminaire, dimming to 50% after five minutes of no motion detected. When motion is detected, the luminaire output is 100%. Includes an integral photocell that can be programmed for “dusk-to-dawn” operation. The FSIR-100 programming tool can be utilized to adjust dimming level, time delay, sensitivity and other parameters. Two lens options provide optimal coverage patterns up to 20’ mounting height.



WaveLinx-Ready 4-PIN Twistlock Receptacle (ZW) Includes the WaveLinx control module, integrated 4-Pin receptacle, and standard 0-10V dimming driver, enabling the subsequent addition of a WaveLinx sensor.

Enlighted Wireless Control and Monitoring System (LWR-LW and LWR-LN) The Enlighted control system is a connected lighting solution, combining LED luminaires with an integrated wireless sensor system. The sensor controls the lighting system in compliance with the latest energy codes while collecting valuable data about building performance and use. Software applications utilizing energy dashboards maximize data inputs to help optimize the use of other resources beyond lighting.



Synapse (DIM10) SimplySNAP integrated wireless controls system by Synapse. Includes factory installed DIM10 control module and MS/DC motion sensor; requires additional Synapse system components for operation. Contact Synapse at www.synapsewireless.com for product support, warranty, and terms and conditions.

