

# 4" & 5" PSSS

## Square Straight Steel Pole



1882 Lighting's PSSS Series Straight Square Steel poles are built from high strength steel tube and are available side drilled for arm mounted area lighting luminaires or with tenon mounts for flood and post top luminaires. Typical area lighting applications include retail centers, industrial parks, schools and universities, public transit and airports, office buildings and medical facilities. Mounting heights of 10 to 30 feet can be used based on selected luminaire application.

### Specifications and Features:

#### Pole Specifications:

Conforms to ASTM-A 500 Grade B: Minimum Yield Strength of 46,000 PSI. Wall Thickness Available in 11 Gauge (.120") or 7 Gauge (.180").

#### Finish:

Textured Architectural Bronze Powdercoat Finish, Baked to Ensure Maximum Paint Adhesion, Hardness and Durability.

#### Anchor Bolts:

Anchor Bolts are Included, Sized Based on Pole Data Charts for the Selected Pole Size.

#### Hand Hole:

Cast Iron Reinforced Hand Hole and Cover with Ground Screw.

#### Base Cover:

Poles are Provided With a Two-Piece Formed Steel Base Cover that is Easily Assembled and Fitted Over Pole Base.

#### Pole Length:

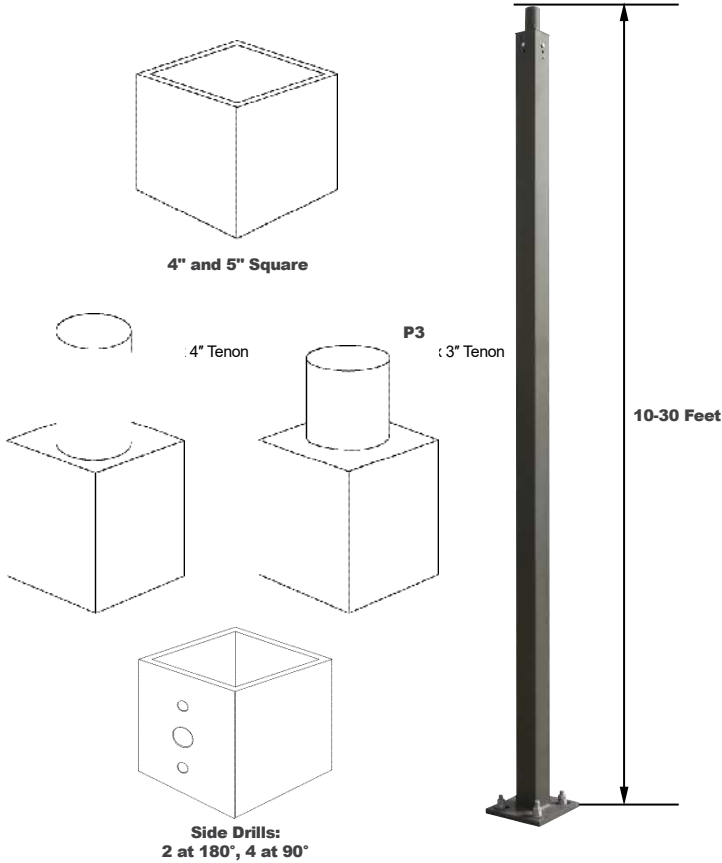
Poles are Available in Standard Lengths as Shown in the Order Matrix. Poles can be Custom Cut to Order. Consult Factory.

#### Mounting Options:

Standard Length Poles Include 2 3/4" OD Tenon, Side Drilled 4@90 Degrees, UV-Stabilized Polycarbonate Top Cover and Hole Plugs for Unused Drilling Locations.

Cut To Order Poles can be Side Drilled for 2@180 Degrees or 4@90 Degrees, Includes UV-Stabilized Polycarbonate Top Cover and Hole Plugs for Unused Drilling Locations.

Cut To Order Poles May Also Be Ordered With 2 3/4" OD or 2 1/2" OD Tenons for Use With Post Top Decorative Luminaires, Flood/Area Slip Fitter Fixtures, or Any of a Wide Variety of Pole Top Mounting Accessories.



### Order Information Example:

**PSSS30507ZP2LBC**

PSSS	Z						
Model	Height/Shaft/Gauge (Pick One)			Color	Pole Top Mounting	Drill Template	Options
	4" Square 11 Gauge:	4" Square 7 Gauge:	5" Square 7 Gauge:				
PSSS=Straight Square Steel Pole	20411=20' 25411=25'	25407=25'	30507=30'	Z=Bronze	D2=Drilled 2 Sides at 180° with Plugs (1) D4=Drilled 4 Sides with Plugs (1) P2=2 3/4" x 4"H Tenon P3=2 1/2" x 3"H Tenon	(Leave Blank)=Poles with P2 Tenon S=Standard Arm/Accessories D=Kitty Hawk Arm KH25, KH20 E=Kitty Hawk Arm KH45 C=Custom (Specify)	(Leave Blank)=No Options LAB=Less Anchor Bolts (2) LBC=Less Base Cover (3)

### Notes:

- Side Drilled poles include UV-stabilized polycarbonate pole cap.
- All poles include anchor bolts standard, consult dimension table for size based on pole dimensions.
- All poles include square 2-piece bronze base cover.

# 4" & 5" PSSS

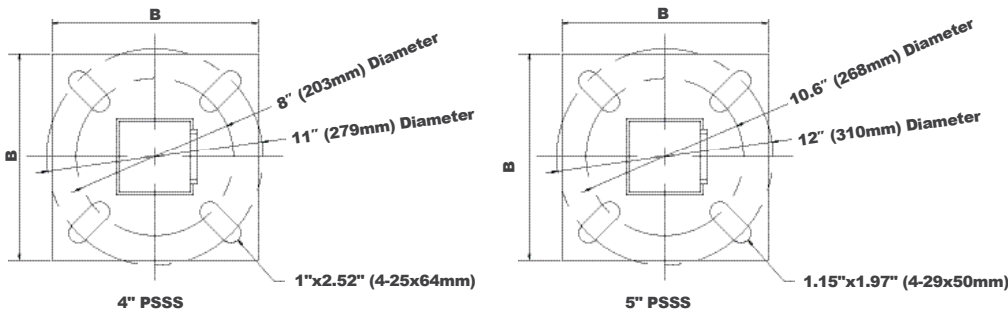
## Square Straight Steel Pole

### Wind Loading and Dimensional Data:

Pole Description		80 MPH		90 MPH		100 MPH		110 MPH		120 MPH		130 MPH		140 MPH		150 MPH		Structure Weight (lbs.)
Shaft Size & Wall Thickness	Mounting Height	Max EPA (SQ FT)	Max Weight (LBS)	Max EPA (SQ FT)	Max Weight (LBS)	Max EPA (SQ FT)	Max Weight (LBS)	Max EPA (SQ FT)	Max Weight (LBS)	Max EPA (SQ FT)	Max Weight (LBS)	Max EPA (SQ FT)	Max Weight (LBS)	Max EPA (SQ FT)	Max Weight (LBS)	Max EPA (SQ FT)	Max Weight (LBS)	
4" Square, 11 Gauge	10' - 0"	30.6	765	20.0	500.0	16.0	400.0	13.0	325.0	10.5	263.0	8.5	213.0	7.0	175.0	6.0	150.0	73
	12' - 0"	24.4	610	16.0	400.0	13.0	325.0	10.0	250.0	8.0	200.0	6.5	163.0	5.0	125.0	4.0	100.0	88
	14' - 0"	19.9	498	13.5	338.0	10.0	250.0	7.5	188.0	6.0	150.0	4.5	113.0	3.5	88.0	2.5	63.0	102
	16' - 0"	15.9	398	10.5	263.0	7.5	188.0	5.5	138.0	4.0	100.0	3.0	75.0	1.5	38.0	1.0	25.0	117
	18' - 0"	12.6	315	8.0	200.0	5.5	138.0	4.0	100.0	2.5	63.0	1.5	38.0	0.5	13.0	-	-	131
	20' - 0"	9.6	240	6.0	150.0	4.0	100.0	2.5	63.0	1.0	25.0	-	-	-	-	-	-	146
	25' - 0"	7.2	200	4.1	124	2.1	77	1.0	45	-	-	-	-	-	-	-	-	202
4" Square, 7 Gauge	10' - 0"	32.3	807	27.3	681.4	19.9	499.0	14.7	366.9	10.5	262.1	7.3	184.5	5.2	132.1	3.1	79.7	102
	12' - 0"	24.8	621	21.0	524.2	15.3	383.8	11.3	282.2	8.1	201.6	5.6	141.9	4.0	101.6	2.4	61.3	123
	14' - 0"	20.7	517	17.5	436.8	12.8	319.9	9.4	235.2	6.7	168.0	4.7	118.3	3.4	84.7	2.0	51.1	143
	16' - 0"	17.2	431	14.6	364.0	10.6	266.6	7.8	196.0	5.6	140.0	3.9	98.6	2.8	70.6	1.7	42.6	164
	18' - 0"	15.4	385	13.0	325.0	9.5	238.0	7.0	175.0	5.0	125.0	3.5	88.0	2.5	63.0	1.5	38.0	184
	20' - 0"	14	350	10.5	263.0	7.5	188.0	5.5	138.0	3.5	88.0	2.0	50.0	1.0	25.0	-	-	205
	25' - 0"	10.8	270	5.5	138.0	3.0	75.0	1.5	38.0	-	-	-	-	-	-	-	-	256
5" Square, 7 Gauge	10' - 0"	64.8	1621	46.1	1153	35	865	27	664	20	491	14	346	10	261	7	173	135
	12' - 0"	49.9	1247	35.5	887	27	665	20	511	15	378	11	266	8	200	5	133	162
	14' - 0"	41.5	1039	29.6	739	22	554	17	426	13	315	9	222	7	167	4	111	189
	16' - 0"	34.6	866	24.6	616	18	462	14	355	10	262	7	185	6	139	4	92	217
	18' - 0"	30.9	773	22	550	17	413	13	317	9	234	7	165	5	124	3	83	244
	20' - 0"	28.1	703	20.0	500	15	375	12	288	9	213	6	150	5	113	3	75	271
	22' - 0"	24.1	602	16.2	405	13	320	8	207	5	113	2	57	2	57	2	38	298
	25' - 0"	18.5	463	12.0	300	9	213	6	138	3	75	2	38	-	-	-	-	338
	28' - 0"	13.9	347	8.8	220	5	132	2	38	-	-	-	-	-	-	-	-	379
	30' - 0"	10.7	267	6.5	163	4	88	1	25	-	-	-	-	-	-	-	-	406

- NOTES:**
1. Maximum EPA (Effective Projected Area) and weight values are based on AASHTO 2013 (90-150MPH) and AASHTO 2008 (80MPH).
  2. Consult factory on loading criteria for pole top mounted luminaires and/or brackets.
  3. Variations from sizes above are available upon inquiry at the factory.
  4. Satisfactory performance of poles is dependent upon the pole being properly attached to a supporting foundation of adequate design.
  5. Structure weight is a nominal value which includes the pole shaft and base plate only.

### Pole Data:



Shaft Base Size	Bolt Circle A	Base Size B	Base Thickness C	Bolt Projection	Anchor Bolt Size
4" PSSS 11 Gauge	8"-11" (203-279mm)	10.5" (266mm)	3/4"	4"	M20 x 27 1/2"
4" PSSS 7 Gauge	8"-11" (203-279mm)	10.5" (266mm)	3/4"	4"	M20 x 27 1/2"
5" PSSS 7 Gauge	10.6"-12" (268-310mm)	11" (280mm)	1"	4"	M22 x 33"

### Pole Top Mounting:



## 4" Straight Square Steel Pole Mounting Options

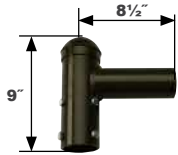
Order separately, field installed.

### Spoke Brackets and Bullhorns:

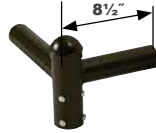
Bronze Finish, Spoke Bracket have 7" Arms. Fit 2 1/2" (P2) Tenons.

\*Non-stock item. Consult factory for lead time.

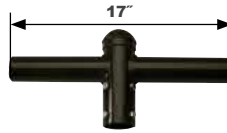
All PTSB Spoke Brackets are 9" high from the bottom edge to the top center of the cap



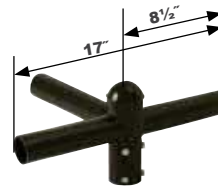
Single Spoke Bracket  
PTSB1SZ



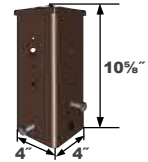
Twin Spoke Bracket,  
90° Arms  
PTSB290SZ



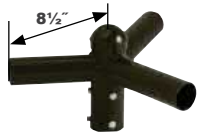
Twin Spoke Bracket,  
180° Arms  
PTSB2180SZ



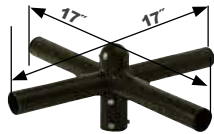
Triple Spoke Bracket,  
90° Arms  
PTSB390SZ\*



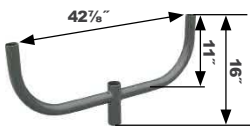
Pole Tenon Adaptor  
PTASUNVZ



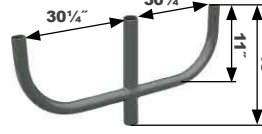
Triple Spoke Bracket,  
120° Arms  
PTSB3120SZ\*



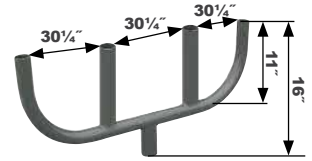
Quad Spoke Bracket, 90° Arms  
PTSB490SZ\*



180° Double Bullhorn  
PRSD180BHZ  
Wt lbs 17, EPA 0.9



180° Triple Bullhorn  
PRSTR180BHZ  
Wt lbs 27, EPA 1.5



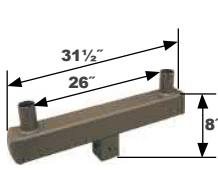
180° Quad Bullhorn  
PRSQ180BHZ  
Wt lbs 38, EPA 2.2

### Vertical Tenon Pole Top Fitters:

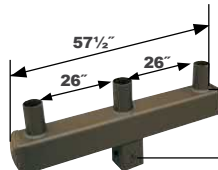
4" High Vertical Tenons, Bronze Finish, Fit 2 1/2" (P2) Tenons

### Tenon Adaptor:

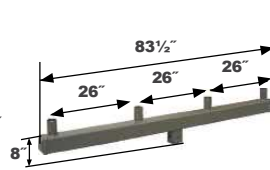
Fit 2 1/2" (P2) Tenons.



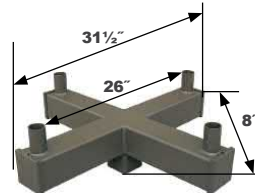
4" Twin Square  
Vertical Tenon  
PSS4TVTZ  
Wt lbs 25, EPA 1.0



4" Triple Square  
Vertical Tenon  
PSS4TRVTZ  
Wt lbs 40, EPA 1.9



4" 180° Quad Square  
Vertical Tenon  
PSS4Q180VTZ  
Wt lbs 56, EPA 2.7



4" 90° Quad Square  
Vertical Tenon  
PSS4Q90VTZ  
Wt lbs 44, EPA 1.1



Retrofit Tenon Adaptor for  
2 1/2" Tenons  
PSRTNB

### Vertical Tenon Pole Fitter:

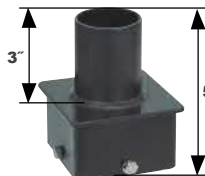
Bronze Finish

### Horizontal Tenon Pole Fitters:

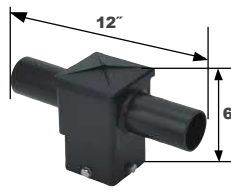
4" Horizontal Tenons, Bronze Finish



4" Single Square Vertical  
Tenon - 2 1/2" Dia.  
PSS42SVTZ



4" Single Square Vertical  
Tenon - 2 1/2" Dia.  
PSS43SVTZ



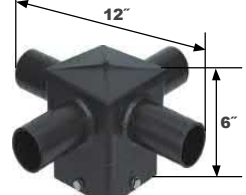
4" 180° Twin Square  
Horizontal Tenon  
PSS4T180HTZ



4" 90° Twin Square  
Horizontal Tenon  
PSS4T90HTZ



4" 90° Triple Square  
Horizontal Tenon  
PSS4T90HTZ

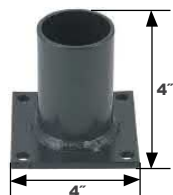


4" 90° Quad Square  
Horizontal Tenon  
PSS4Q90HTZ

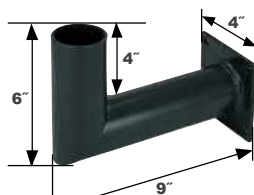
### Wall Mounting Bracket:

Bronze Finish

### Replacement Parts:



Wall Mount  
Bracket  
PRSWMBZ



Wall Mount 90°  
Bracket  
PRSWMB90Z



PSS4CZ



PSS4CVRZ



PSSHHC

### Replacement Parts (Order Separately, Field Installed)

PAB34X30	M20 x 27 1/2" Anchor Bolts, Set of 4 for 4" PSSS Poles
PSS4CZ	4" UV-Stabilized Polycarbonate Pole Cap
PSS4CVRZ	Base Cover, Bronze Finish
PSSHHC	Hand Hole Cover, Bronze Finish

## 5" Straight Square Steel Pole Mounting Options

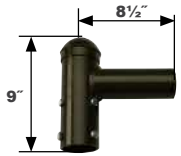
Order separately, field installed.

### Spoke Brackets and Bullhorns:

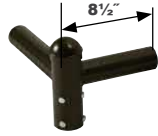
Bronze Finish, Spoke Bracket have 7" Arms. Fit 2 3/8" (P2) Tenons.

\*Non-stock item. Consult factory for lead time.

All PTSB Spoke Brackets are 9" high from the bottom edge to the top center of the cap



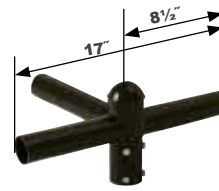
Single Spoke Bracket  
PTSB1SZ



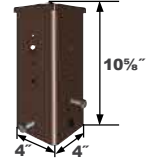
Twin Spoke Bracket,  
90° Arms  
PTSB290SZ



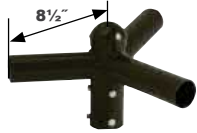
Twin Spoke Bracket,  
180° Arms  
PTSB2180SZ



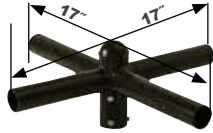
Triple Spoke Bracket,  
90° Arms  
PTSB390SZ\*



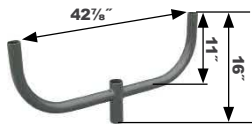
Pole Tenon Adaptor  
PTASUNVZ



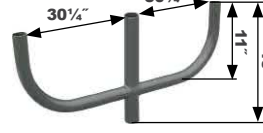
Triple Spoke Bracket,  
120° Arms  
PTSB3120SZ\*



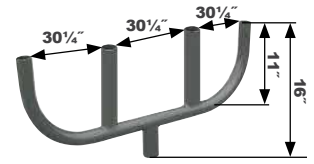
Quad Spoke Bracket,  
90° Arms  
PTSB490SZ\*



180° Double Bullhorn  
PRSD180BHZ  
Wt lbs 17, EPA 0.9



180° Triple Bullhorn  
PRSTR180BHZ  
Wt lbs 27, EPA 1.5



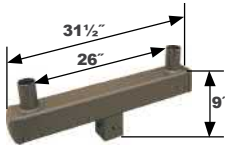
180° Quad Bullhorn  
PRSQ180BHZ  
Wt lbs 38, EPA 2.2

### Vertical Tenon Pole Top Fitters:

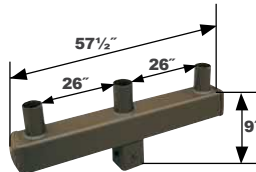
4" High Vertical Tenons, Bronze Finish, Fit 2 3/8" (P2) Tenons

### Tenon Adaptor:

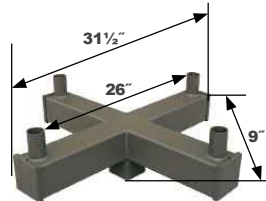
Fit 2 3/8" (P2) Tenons.



5" Twin Square  
Vertical Tenon  
PSS5TVTZ  
Wt lbs 29.25, EPA 1.0



5" Triple Square  
Vertical Tenon  
PSS5TRVTZ  
Wt lbs 46, EPA 1.9



5" 90° Quad Square  
Vertical Tenon  
PSS5Q90VTZ  
Wt lbs 49, EPA 1.1



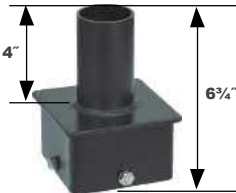
Retrofit Tenon Adaptor for  
2 3/8" Tenons  
PSRTNB

### Vertical Tenon Pole Fitter:

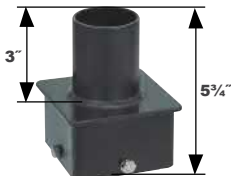
Bronze Finish

### Horizontal Tenon Pole Fitters:

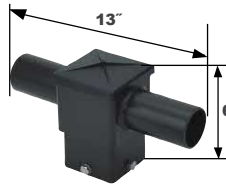
4" Horizontal Tenons, Bronze Finish



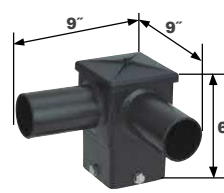
5" Single Square  
Vertical Tenon - 2 3/8" Dia.  
PSS52SVTZ



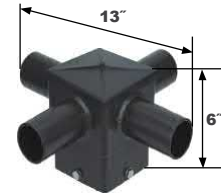
5" Single Square Vertical  
Tenon - 2 3/8" Dia.  
PSS53SVTZ



5" 180° Twin Square  
Horizontal Tenon  
PSS5T180HTZ



5" 90° Twin Square  
Horizontal Tenon  
PSS5T90HTZ

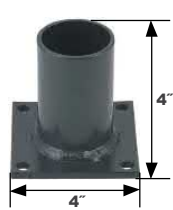


5" 90° Quad Square  
Horizontal Tenon  
PSS5Q90HTZ

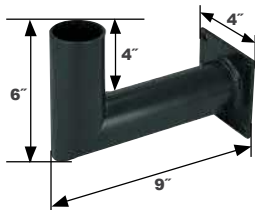
### Wall Mounting Bracket:

Bronze Finish

### Replacement Parts:



Wall Mount Bracket  
PRSWMBZ



Wall Mount 90° Bracket  
PRSWMB90Z  
Wt lbs 4.5, EPA 0.3



PSS5CZ



PSS5CVRZ



PSSHHC

#### Replacement Parts (Order Separately, Field Installed)

PSS5CZ 5" UV-Stabilized Polycarbonate Pole Cap

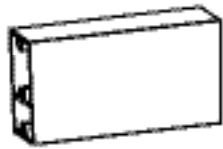
PSS5CVRZ Base Cover, Bronze Finish

PAB1X36 M22 x 33" Anchor Bolts, Set of 4

PSSHHC Hand Hole Cover, Bronze Finish

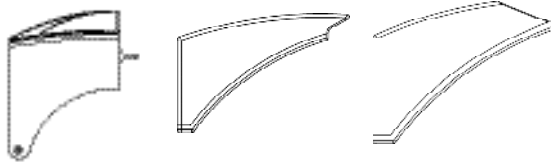
# Pole Drill Templates

**For Use with  
FLEM Arms**



**Standard**

**For Use with  
KH20, KH25, AF\*20,  
AF\*30 Arms**

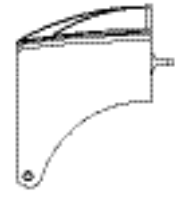


**KH25**

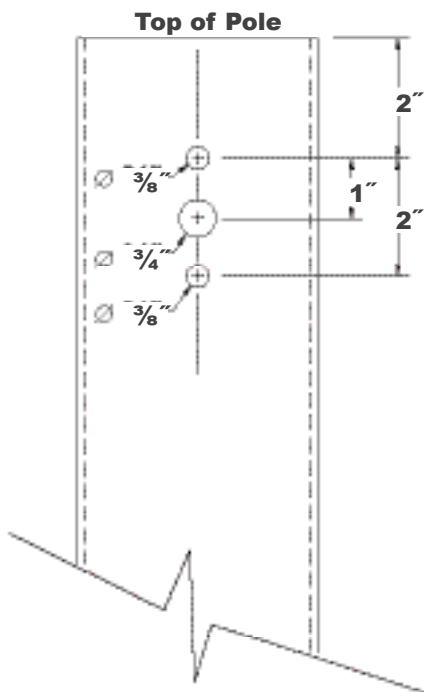
**AF\*20**

**AF\*30**

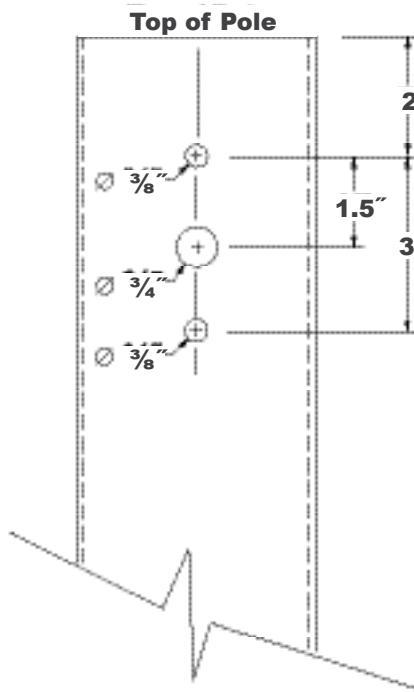
**For Use with  
KH40 and KH45 Arms**



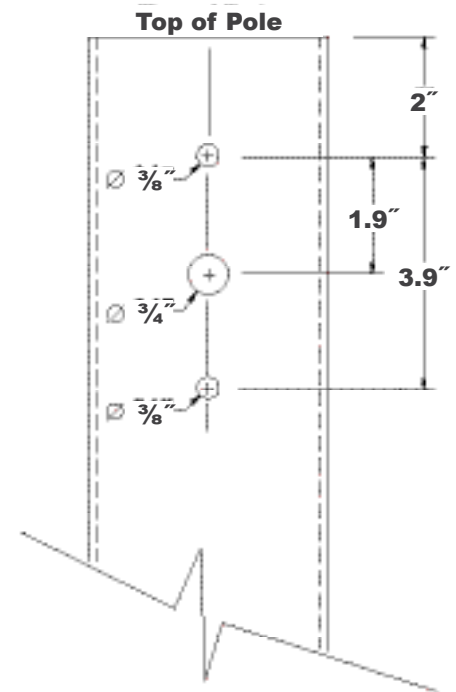
**KH45**



**Pole Drill Pattern "S"**  
For Fixture Series:  
AL35, AL50  
AL70, AL90



**Pole Drill Pattern "D"**  
For Fixture Series:  
KH15, KH25  
AD25, AFR20, AFS20,  
AFR30, AFS30, KH20



**Pole Drill Pattern "E"**  
For Fixture Series:  
KH45  
KH40

**For 4" and 5" PSSS Poles**

Not to Scale.

### Performance Overview:

Wattage: 250  
 Lumen Output: Up to 42,159 Lumens  
 Efficacy (lm/W): Up to 161 Lumens per Watt  
 Kelvin: 3000K, 4000K, 5000K  
 CRI: >80



Project: \_\_\_\_\_ Date: \_\_\_\_\_

Catalog #: \_\_\_\_\_

Notes: \_\_\_\_\_



### Key Features & Benefits:

- Rotatable Lens
- Innovative Mounting Hardware Allows for Single Person Installation
- Multiple Stocked Finish Options (White, Bronze, Black, Grey)
- Multiple Stocked Kelvins (3000K, 4000K, 5000K)
- Tool-less Entry to Easily Access Fixture Components
- 10kV Surge Protection Standard



### Ordering Guide:

<b>ESL</b>	<b>AL</b>	<b>250W</b>	<b>2</b>							
ESL	TYPE	WATTS	GENERATION	KELVIN	VOLTAGE	FINISH*	MOUNT	LENS	OPTIONS	CONTROLS
	AL (Area Light)	250W	2 (2nd Gen)	30 (3000 Kelvin) 40 (4000 Kelvin) 50 (5000 Kelvin)	Blank (120-277 VAC) HV (247-480 VAC)	BZ (Bronze) BK (Black) GR (Grey) WH (White)	FDM (Fixed Direct Mount) FRDM4 (Fixed Round Direct Mount 4") FRDM5 (Fixed Round Direct Mount 5") DM (Direct Mount) RDM4 (Round Direct Mount 4") RDM5 (Round Direct Mount 5") SF (Slip Fitter) YM (Yoke Mount)	T3 (Type 3) T3R (Type 3 Right) T3L (Type 3 Left) T4 (Type 4 Standard) T4R (Type 4 Right) T4L (Type 4 Left) T5 (Type 5)	Blank (none) BS (Bird Spikes)	

\*Contact Factory for custom finish options

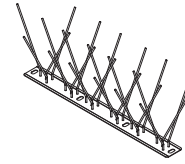
<b>Controls</b>
OCC (Occupancy)
PC (Photocell)

For occupancy, photocell and receptacle information please see page 3

### Accessories Ordering Guide:

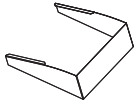
<b>ESL</b>	<b>AL2</b>			
ESL	TYPE	SHIELD TYPE	SIZE	FINISH
	AL2	FSS (Front Street Side Shield) FBS (Full Body Shield) HSS (House Side Shield)	S (75-150W) L (200-320W)	BZ (Bronze) BK (Black) GR (Grey) WH (White)

<b>Options (Order Separately)</b>
ESL-AL2-BS (Area Light Bird Spikes)
ESL-REM-100 (Remote to Control 80CC)



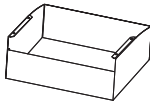
**Bird Spikes**  
(ESL-AL2-BS)

**Remote**  
(ESL-REM-100)



**Front Street Side Shield\***

\*See page 10 for dimensions

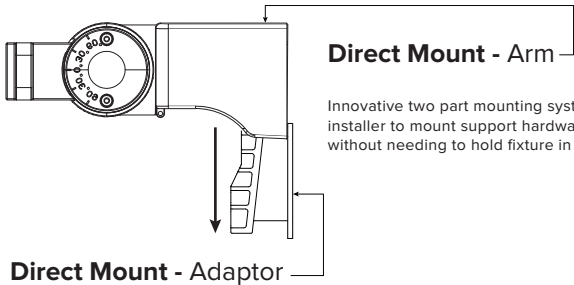


**Full Body Shield\***

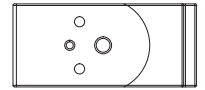
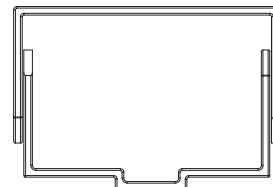


**House Side Shield\***

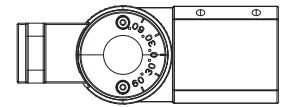
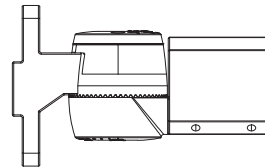
### Mount Options:



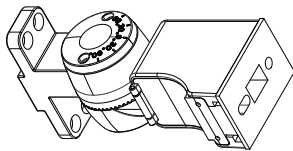
**Yoke Mount**



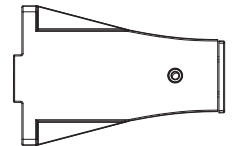
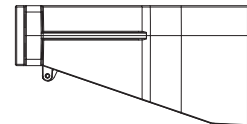
**Slip Fitter**



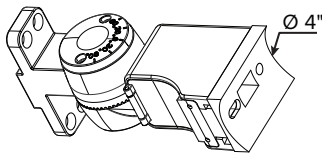
**Direct Mount - Square**



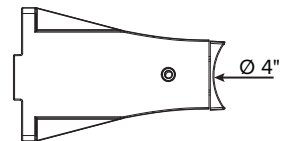
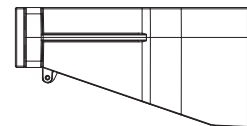
**Fixed Direct Mount - Square**



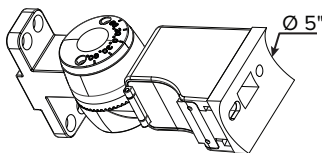
**Round Direct Mount - 4"**



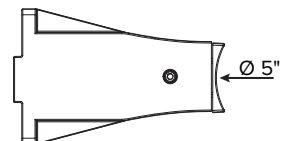
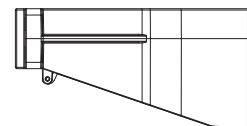
**Fixed Round Direct Mount - 4"**

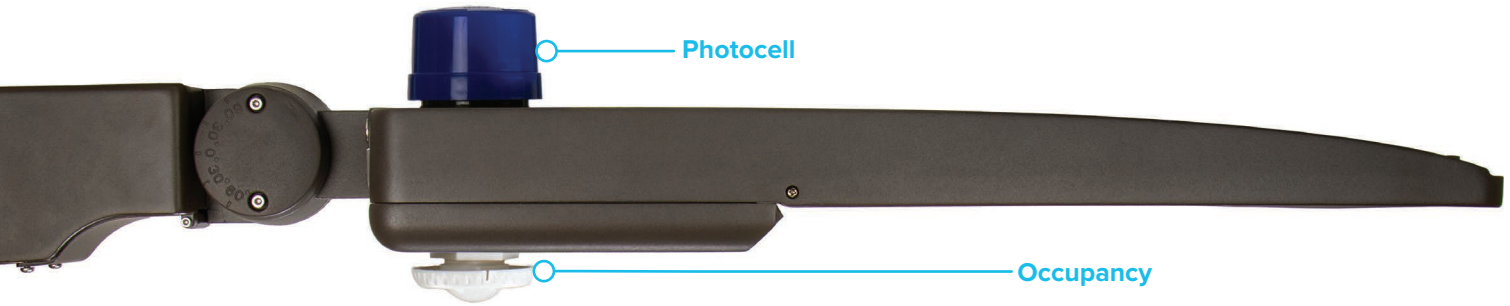


**Round Direct Mount - 5"**

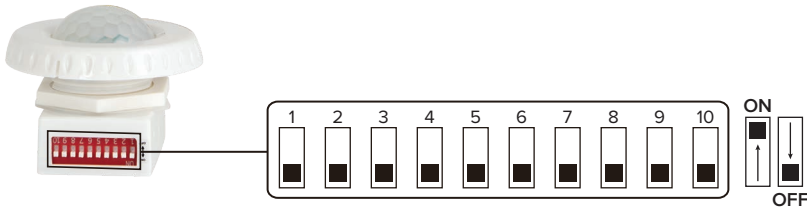


**Fixed Round Direct Mount - 5"**





### Occupancy Options:

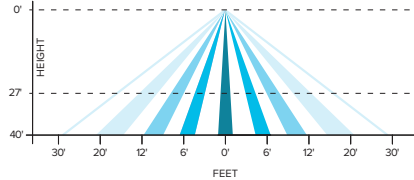


DIP SWITCH PROGRAMMING:						STANDY-BY								
1	2	%	3	4	⊖	5	6	lux	7	8	%	9	10	⊖
OFF	OFF	20%	OFF	OFF	10s	OFF	OFF	*	OFF	OFF	0%	OFF	OFF	+∞
OFF	ON	50%	OFF	ON	10min	OFF	ON	10lux	OFF	ON	10%	OFF	ON	1min
ON	OFF	75%	ON	OFF	30min	ON	OFF	30lux	ON	OFF	30%	ON	OFF	30min
ON	ON	100%	ON	ON	60min	ON	ON	50lux	ON	ON	50%	ON	ON	60min

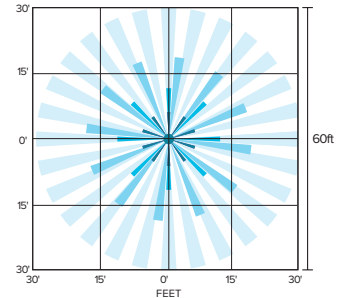
### ESL-8OCC-ODD-LV\*

- Power Supply: 6-24 VDC
- Sensor Type: Passive Infrared
- Sensitivity Adjustment: 20% / 50% / 75% / 100%
- Dimming Control Output: 0-10V Max. 25mA sinking current
- Detection Radius/angle: 30ft@40ft Height/360°
- Detection Area (square footage): 2826ft<sup>2</sup>@40ft Height/360°
- Mounting Height: 40ft Max
- Remote Range: 50ft
- Humidity: Max 95% RH
- Temperature: -40°F ~ 167°F (-40°C ~ 75°C)

\*Not applicable for outdoor photocell applications



Side View Coverage



Top View Coverage

### Photocell Receptacle Options:

The Nova Series offers a 7-Pin receptacle.



#### ESL-RPC7

7-Pin receptacles offer on/off control, network control integration, and adds an extra set of controls to “future proof” your Area Light purchase.

### Photocell Options:



#### ESL-PCOF

ESL-PCOF is a standard Dusk to Dawn (on/off) photocell that works from 120 -277 VAC.



#### ESL-PCOFHV

ESL-PCOFHV is a standard Dusk to Dawn (on/off) photocell that works from 347-530 VAC.



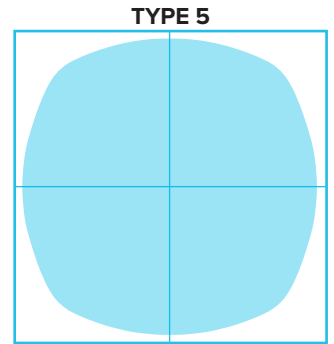
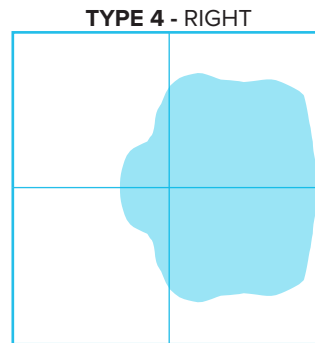
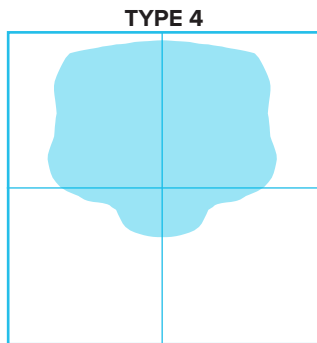
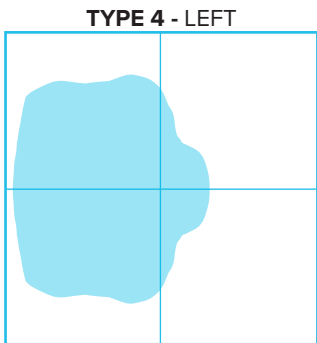
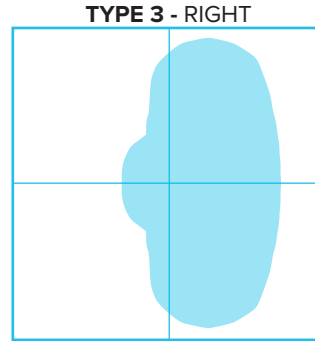
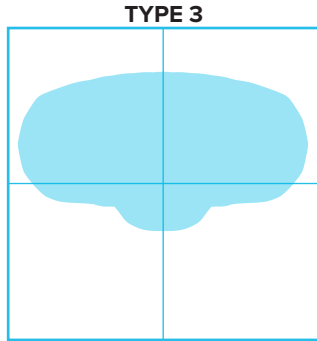
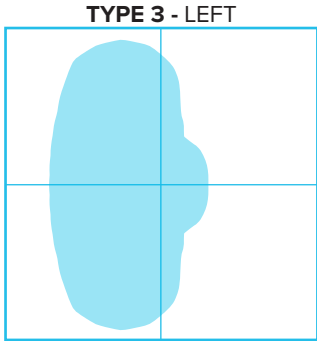
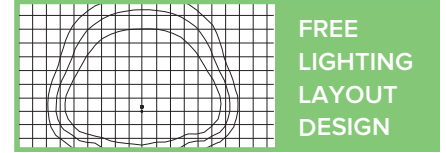
#### ESL-PCSC

A shorting cap for those projects where you have the flexibility to decide in the future how to control the ESL Vision Area Light.



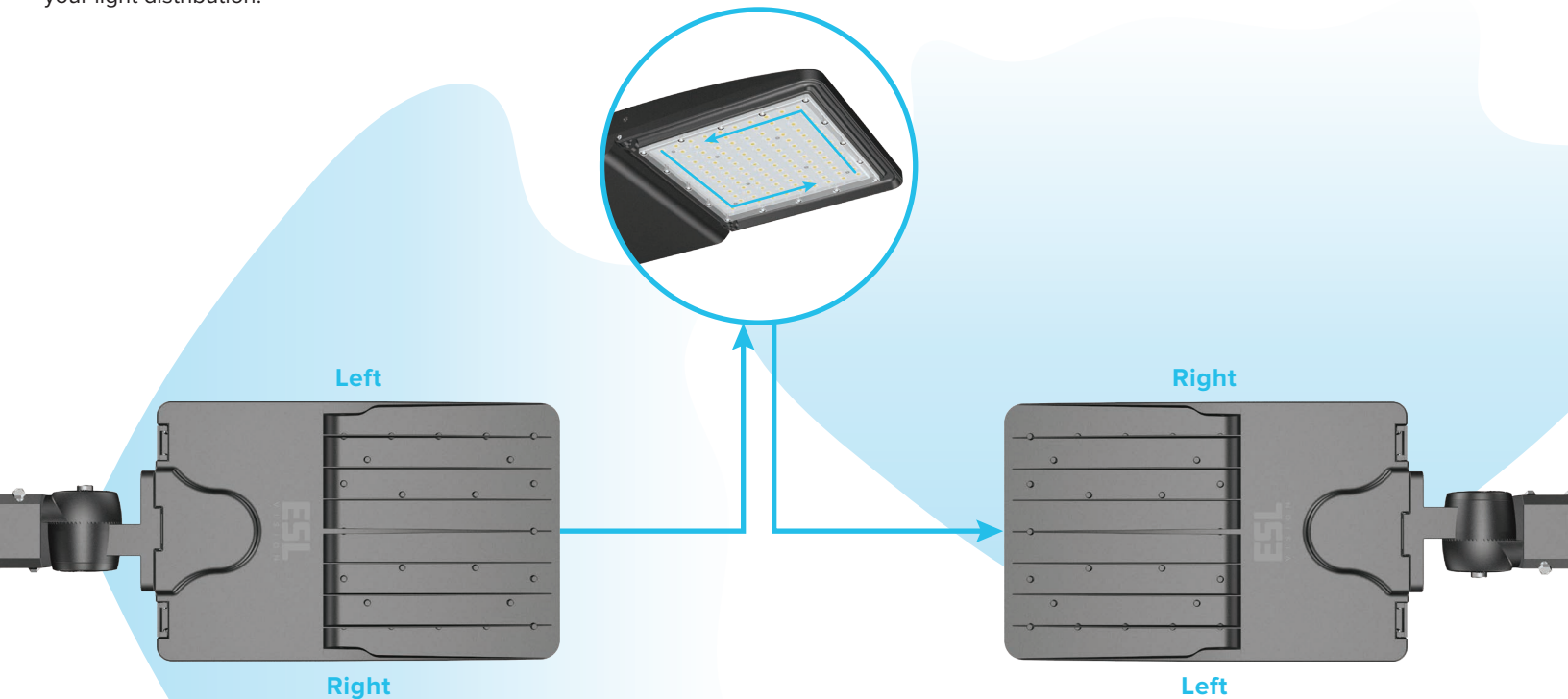
### Distribution Options:

ESL Vision's lighting design engineers can help create custom lighting layouts for your jobs free of charge.



### Rotateable Lens:

The Nova Series gives you even more flexibility with light distribution. By rotating the lens 90° one way or the other, you can easily customize your light distribution.



Catalog Data:

ESL	TYPE	WATTAGE	GENERATION	KELVIN									INPUT* VOLTAGE	FINISH*	MOUNT*	LENS
				3000K (30)			4000K (40)			5000K (50)						
				LUMENS	LPW	DLC QPL	LUMENS	LPW	DLC QPL	LUMENS	LPW	DLC QPL				
ESL-AL-75W-2				10,152	134	PY0Q8CK4	10,700	141	PB5EXJ4J	11,251	148	P0R05AFO	(BLANK)	(XX)	(YY)	T3 (Type 3)
				10,152	134	PY0Q8CK4	10,700	141	PB5EXJ4J	11,251	148	P0R05AFO	(HV)	(XX)	(YY)	T3 (Type 3)
				10,103	133	PKD93Y8T	10,648	140	PVH4SROW	11,196	148	PUN2VQJ1	(BLANK)	(XX)	(YY)	T3L (Type 3 Left)
				10,103	133	PKD93Y8T	10,648	140	PVH4SROW	11,196	148	PUN2VQJ1	(HV)	(XX)	(YY)	T3L (Type 3 Left)
				10,140	134	PHVVRKJC	10,687	141	PC99TPMX	11,237	148	PISVQFTD	(BLANK)	(XX)	(YY)	T3R (Type 3 Right)
				10,140	134	PHVVRKJC	10,687	141	PC99TPMX	11,237	148	PISVQFTD	(HV)	(XX)	(YY)	T3R (Type 3 Right)
				10,091	133	P3KWW4NY	10,635	140	PLYPBYC	11,183	148	PQX675K9	(BLANK)	(XX)	(YY)	T4 (Type 4)
				10,091	133	P3KWW4NY	10,635	140	PLYPBYC	11,183	148	PQX675K9	(HV)	(XX)	(YY)	T4 (Type 4)
				10,061	133	PJFCRF30	10,568	140	P7DIGI06	11,074	147	P4YGJFQ6	(BLANK)	(XX)	(YY)	T4L (Type 4 Left)
				10,061	133	PJFCRF30	10,568	140	P7DIGI06	11,074	147	P4YGJFQ6	(HV)	(XX)	(YY)	T4L (Type 4 Left)
				10,057	133	P63SHL3J	10,599	140	PEOHG700	11,145	147	PYLZG11R	(BLANK)	(XX)	(YY)	T4R (Type 4 Right)
				10,057	133	P63SHL3J	10,599	140	PEOHG700	11,145	147	PYLZG11R	(HV)	(XX)	(YY)	T4R (Type 4 Right)
				10,870	143	P2BP8GRN	11,456	151	PRG2H3PG	12,046	159	PCA1PQS1	(BLANK)	(XX)	(YY)	T5 (Type 5)
				10,870	143	P2BP8GRN	11,456	151	PRG2H3PG	12,046	159	PCA1PQS1	(HV)	(XX)	(YY)	T5 (Type 5)

ESL-AL-110W-2				14,738	133	P78ZOUK7	15,533	140	PWUCP4DD	16,333	147	PY9M5722	(BLANK)	(XX)	(YY)	T3 (Type 3)
				14,738	133	P78ZOUK7	15,533	140	PWUCP4DD	16,333	147	PY9M5722	(HV)	(XX)	(YY)	T3 (Type 3)
				14,667	132	PIZ18XCU	15,457	139	PW8IZCQ3	16,254	147	POLGDL1A	(BLANK)	(XX)	(YY)	T3L (Type 3 Left)
				14,667	132	PIZ18XCU	15,457	139	PW8IZCQ3	16,254	147	POLGDL1A	(HV)	(XX)	(YY)	T3L (Type 3 Left)
				14,721	133	PL5L561L	15,514	140	PBACTAJU	16,314	147	P8GGLPOL	(BLANK)	(XX)	(YY)	T3R (Type 3 Right)
				14,721	133	PL5L561L	15,514	140	PBACTAJU	16,314	147	P8GGLPOL	(HV)	(XX)	(YY)	T3R (Type 3 Right)
				14,649	132	P9OOC8ZR	15,439	139	P3A7MZBT	16,234	146	P24V1EAX	(BLANK)	(XX)	(YY)	T4 (Type 4)
				14,649	132	P9OOC8ZR	15,439	139	P3A7MZBT	16,234	146	P24V1EAX	(HV)	(XX)	(YY)	T4 (Type 4)
				14,605	132	PN1Q3XBG	15,393	139	PY1QR675	16,186	146	P9ITGEPH	(BLANK)	(XX)	(YY)	T4L (Type 4 Left)
				14,605	132	PN1Q3XBG	15,393	139	PY1QR675	16,186	146	P9ITGEPH	(HV)	(XX)	(YY)	T4L (Type 4 Left)
				14,600	132	P8FILYTG	15,387	139	PS2XEXUT	16,179	146	PBRFPQ0J	(BLANK)	(XX)	(YY)	T4R (Type 4 Right)
				14,600	132	P8FILYTG	15,387	139	PS2XEXUT	16,179	146	PBRFPQ0J	(HV)	(XX)	(YY)	T4R (Type 4 Right)
				15,780	142	PD6ZM8X8	16,630	150	PVF3MXF9	17,487	158	PQD8RS1K	(BLANK)	(XX)	(YY)	T5 (Type 5)
				15,780	142	PD6ZM8X8	16,630	150	PVF3MXF9	17,487	158	PQD8RS1K	(HV)	(XX)	(YY)	T5 (Type 5)

ESL-AL-150W-2				18,897	129	P8LE7VNV	19,916	136	PZMIQ9XL	20,942	143	PRCK0UKI	(BLANK)	(XX)	(YY)	T3 (Type 3)
				18,897	129	P8LE7VNV	19,916	136	PZMIQ9XL	20,942	143	PRCK0UKI	(HV)	(XX)	(YY)	T3 (Type 3)
				18,805	128	PF6F4IQD	19,819	135	P8U7Y3YY	20,840	142	P3SJS921	(BLANK)	(XX)	(YY)	T3L (Type 3 Left)
				18,805	128	PF6F4IQD	19,819	135	P8U7Y3YY	20,840	142	P3SJS921	(HV)	(XX)	(YY)	T3L (Type 3 Left)
				18,875	129	P9GVQ70G	19,892	136	PY8T14BE	20,917	143	POJ3S6P8	(BLANK)	(XX)	(YY)	T3R (Type 3 Right)
				18,875	129	P9GVQ70G	19,892	136	PY8T14BE	20,917	143	POJ3S6P8	(HV)	(XX)	(YY)	T3R (Type 3 Right)
				18,783	128	P9PSMJ08	19,795	135	PTG4J4FR	20,815	142	PW1Z58YS	(BLANK)	(XX)	(YY)	T4 (Type 4)
				18,783	128	P9PSMJ08	19,795	135	PTG4J4FR	20,815	142	PW1Z58YS	(HV)	(XX)	(YY)	T4 (Type 4)
				18,726	128	PRFECLUD	19,736	135	P5UL3JE4	20,753	142	P1MTSF8X	(BLANK)	(XX)	(YY)	T4L (Type 4 Left)
				18,726	128	PRFECLUD	19,736	135	P5UL3JE4	20,753	142	P1MTSF8X	(HV)	(XX)	(YY)	T4L (Type 4 Left)
				18,719	128	P4I68SMU	19,728	135	PQZ0MVOL	20,745	142	PE3IK12S	(BLANK)	(XX)	(YY)	T4R (Type 4 Right)
				18,719	128	P4I68SMU	19,728	135	PQZ0MVOL	20,745	142	PE3IK12S	(HV)	(XX)	(YY)	T4R (Type 4 Right)
				20,232	138	POBMS4P0	21,323	145	PNYC4TX9	22,421	153	POI9FZU8	(BLANK)	(XX)	(YY)	T5 (Type 5)
				20,232	138	POBMS4P0	21,323	145	PNYC4TX9	22,421	153	POI9FZU8	(HV)	(XX)	(YY)	T5 (Type 5)

\* Input Voltage: (Blank) = 120-277 VAC, (HV) = 247-480 VAC | Finish (XX): BZ = Bronze, BK = Black, GR = Grey, WH = White  
 Mount (YY): DM = Direct Mount, RDM4 = Round Direct Mount 4", RDM5 = Round Direct Mount 5", SF = Slip Fitter, YK = Yoke Mount

Catalog Data:

ESL	TYPE	WATTAGE	GENERATION	KELVIN									INPUT* VOLTAGE	FINISH*	MOUNT*	LENS
				3000K (30)			4000K (40)			5000K (50)						
				LUMENS	LPW	DLC QPL	LUMENS	LPW	DLC QPL	LUMENS	LPW	DLC QPL				
ESL-AL-200W-2				27,570	141	PKJN4U4	29,056	148	PBPHKQWB	30,553	156	PQIRPF1O	(BLANK)	(XX)	(YY)	T3 (Type 3)
				27,570	141	PKJN4U4	29,056	148	PBPHKQWB	30,553	156	PQIRPF1O	(HV)	(XX)	(YY)	T3 (Type 3)
				27,436	140	PAW369YD	28,915	148	P4EMWYZI	30,405	155	P9IW684	(BLANK)	(XX)	(YY)	T3L (Type 3 Left)
				27,436	140	PAW369YD	28,915	148	P4EMWYZI	30,405	155	P9IW684	(HV)	(XX)	(YY)	T3L (Type 3 Left)
				27,538	141	PFRVNNKB	29,022	148	P2IC05TS	30,517	156	PMWUIH5E	(BLANK)	(XX)	(YY)	T3R (Type 3 Right)
				27,538	141	PFRVNNKB	29,022	148	P2IC05TS	30,517	156	PMWUIH5E	(HV)	(XX)	(YY)	T3R (Type 3 Right)
				27,404	140	PJOW075	28,881	148	P6X92JF7	30,369	155	PPL3RMEI	(BLANK)	(XX)	(YY)	T4 (Type 4)
				27,404	140	PJOW075	28,881	148	P6X92JF7	30,369	155	PPL3RMEI	(HV)	(XX)	(YY)	T4 (Type 4)
				27,321	140	PGD7YYSF	28,794	147	P5VZEWY8	30,278	155	P6ML174P	(BLANK)	(XX)	(YY)	T4L (Type 4 Left)
				27,321	140	PGD7YYSF	28,794	147	P5VZEWY8	30,278	155	P6ML174P	(HV)	(XX)	(YY)	T4L (Type 4 Left)
				27,311	140	P56TRKQF	28,783	147	PJ64ODDC	30,266	155	P3B1VMDT	(BLANK)	(XX)	(YY)	T4R (Type 4 Right)
				27,311	140	P56TRKQF	28,783	147	PJ64ODDC	30,266	155	P3B1VMDT	(HV)	(XX)	(YY)	T4R (Type 4 Right)
				29,518	151	PZKM4S5R	31,109	159	PE91X57J	32,712	167	P4SRQ22M	(BLANK)	(XX)	(YY)	T5 (Type 5)
				29,518	151	PZKM4S5R	31,109	159	PE91X57J	32,712	167	P4SRQ22M	(HV)	(XX)	(YY)	T5 (Type 5)

ESL-AL-250W-2				35,532	135	PQNDL5PY	37,447	143	PKMMF2XJ	39,377	150	PYYDTKSQ	(BLANK)	(XX)	(YY)	T3 (Type 3)
				35,532	135	PQNDL5PY	37,447	143	PKMMF2XJ	39,377	150	PYYDTKSQ	(HV)	(XX)	(YY)	T3 (Type 3)
				35,360	135	PCGMSDW1	37,266	142	PFUHEIUQ	39,186	149	PWF0R5TZ	(BLANK)	(XX)	(YY)	T3L (Type 3 Left)
				35,360	135	PCGMSDW1	37,266	142	PFUHEIUQ	39,186	149	PWF0R5TZ	(HV)	(XX)	(YY)	T3L (Type 3 Left)
				35,490	135	PVOC1OTG	37,403	142	PUQP9MYP	39,330	150	PJD98LDT	(BLANK)	(XX)	(YY)	T3R (Type 3 Right)
				35,490	135	PVOC1OTG	37,403	142	PUQP9MYP	39,330	150	PJD98LDT	(HV)	(XX)	(YY)	T3R (Type 3 Right)
				35,317	135	POZKZIF6	37,221	142	PFL0AJBA	39,139	149	PT3RU9LL	(BLANK)	(XX)	(YY)	T4 (Type 4)
				35,317	135	POZKZIF6	37,221	142	PFL0AJBA	39,139	149	PT3RU9LL	(HV)	(XX)	(YY)	T4 (Type 4)
				35,213	134	PEEPAE6G	37,110	141	PVBBX1ZF	39,022	149	PLEU2T1A	(BLANK)	(XX)	(YY)	T4L (Type 4 Left)
				35,213	134	PEEPAE6G	37,110	141	PVBBX1ZF	39,022	149	PLEU2T1A	(HV)	(XX)	(YY)	T4L (Type 4 Left)
				35,198	134	PB8C5EMW	37,095	141	P33OJB6P	39,006	149	P4GFQ0PE	(BLANK)	(XX)	(YY)	T4R (Type 4 Right)
				35,198	134	PB8C5EMW	37,095	141	P33OJB6P	39,006	149	P4GFQ0PE	(HV)	(XX)	(YY)	T4R (Type 4 Right)
				38,043	145	P9GGL1OE	40,093	153	PQ38NNEU	42,159	161	PPOOCJOX	(BLANK)	(XX)	(YY)	T5 (Type 5)
				38,043	145	P9GGL1OE	40,093	153	PQ38NNEU	42,159	161	PPOOCJOX	(HV)	(XX)	(YY)	T5 (Type 5)

ESL-AL-320W-2				40,997	131	PFBENYDW	43,207	138	P65CQJME	45,433	145	PPQY81MV	(BLANK)	(XX)	(YY)	T3 (Type 3)
				40,997	131	PFBENYDW	43,207	138	P65CQJME	45,433	145	PPQY81MV	(HV)	(XX)	(YY)	T3 (Type 3)
				40,798	130	P5OLMZ51	42,997	137	P3FL0DP9	45,212	144	PSCX0PAS	(BLANK)	(XX)	(YY)	T3L (Type 3 Left)
				40,798	130	P5OLMZ51	42,997	137	P3FL0DP9	45,212	144	PSCX0PAS	(HV)	(XX)	(YY)	T3L (Type 3 Left)
				40,948	131	PKSKYHX3	43,155	138	PS8QRWHO	45,379	145	PF01MYWG	(BLANK)	(XX)	(YY)	T3R (Type 3 Right)
				40,948	131	PKSKYHX3	43,155	138	PS8QRWHO	45,379	145	PF01MYWG	(HV)	(XX)	(YY)	T3R (Type 3 Right)
				40,749	130	P81YK6K	42,946	137	POJ05LK0	45,158	144	P7WFAQSLW	(BLANK)	(XX)	(YY)	T4 (Type 4)
				40,749	130	P81YK6K	42,946	137	POJ05LK0	45,158	144	P7WFAQSLW	(HV)	(XX)	(YY)	T4 (Type 4)
				41,255	124	PCHRR3JM	42,817	136	PJ0PBWKX	45,023	144	PCQSV6K1	(BLANK)	(XX)	(YY)	T4L (Type 4 Left)
				41,255	124	PCHRR3JM	42,817	136	PJ0PBWKX	45,023	144	PCQSV6K1	(HV)	(XX)	(YY)	T4L (Type 4 Left)
				40,611	129	PX44BVVI	42,800	136	PQ87FHQR	45,005	143	P238F3BB	(BLANK)	(XX)	(YY)	T4R (Type 4 Right)
				40,611	129	PX44BVVI	42,800	136	PQ87FHQR	45,005	143	P238F3BB	(HV)	(XX)	(YY)	T4R (Type 4 Right)
				43,894	140	PSEJ9OW7	46,260	147	PYDSKZA4	48,643	155	PJVFKB6N	(BLANK)	(XX)	(YY)	T5 (Type 5)
				43,894	140	PSEJ9OW7	46,260	147	PYDSKZA4	48,643	155	PJVFKB6N	(HV)	(XX)	(YY)	T5 (Type 5)

\* Input Voltage: (Blank) = 120-277 VAC, (HV) = 247-480 VAC | Finish (XX): BZ = Bronze, BK = Black, GR = Grey, WH = White  
 Mount (YY): DM = Direct Mount, RDM4 = Round Direct Mount 4", RDM5 = Round Direct Mount 5", SF = Slip Fitter, YK = Yoke Mount

### Construction:

- Rugged Anodized Aluminum Housing
- High Performance Heat Sink
- Weathertight Tool-less Entry Access
- Stainless Steel Hardware

### Electrical:

- Input Voltage Options: 120-277 VAC, 277-480 VAC
- Operating Temperature: -40°F to 140°F (-40°C to 60°C)
- Life: L70 Lifetime >100,000 hours, L90 Lifetime >48,000 Hours -TM-21, @77F
- Dimming: 1-10V Dimmable
- 12V Auxiliary

### Optical:

- Optical Grade Polycarbonate Lens with UV Protection
- Rotatable Lens
- Prismatic Molded Lens for Optimal Uniformity
- Impact Resistant Lens
- Distribution Options:
  - Type IV, Type IV right (T4R), Type IV left (T4L)
  - Type III, Type III right (T3R), Type III left (T3L)
  - Type V

### Lumen Ambient Temperature (LAT) Multipliers:

AMBIENT		LUMEN MULTIPLIER
0 °C	32°F	1.02
10 °C	50°F	1.01
20 °C	68°F	1.0
25 °C	77°F	1.0
30 °C	86°F	1.0
40 °C	104°F	0.99

### Driver Summary:

SYSTEM WATTS	OUTPUT CURRENT
75	1500 mA
110	2200 mA
150	3000 mA
200	4200 mA
250	5100 mA
320	6600 mA

### LED Lumen Maintenance:

SYSTEM WATTS	HOURS			
	0	25000	50000	100000
75	100%	95%	90%	80%
110	100%	94%	88%	78%
150	100%	94%	87%	75%
200	100%	95%	90%	80%
250	100%	94%	88%	78%
320	100%	94%	87%	75%

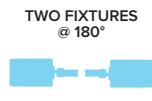
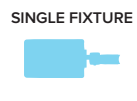
### Electrical Load - Standard Voltage:

SYSTEM WATTS	INPUT CURRENT				INPUT VOLTAGE	INPUT FREQUENCY	POWER FACTOR	THD	OPERATING TEMPERATURE	SURGE PROTECTION	DIMMING
	120 VAC	208 VAC	240 VAC	277 VAC							
75	0.63	0.36	0.31	0.27	120-277 VAC	50/60 Hz	>0.99 @120 VAC >0.91 @277 VAC	<13%	-40°F to 140°F (-40°C to 60°C)	4kV L/N 6kV L/N/G 10kV Optional	1-10V
110	0.92	0.53	0.46	0.40							
150	1.25	0.72	0.63	0.54							
200	1.67	0.96	0.83	0.72							
250	2.08	1.20	1.04	0.90							
320	2.67	1.54	1.33	1.16							

### Electrical Load - High Voltage:

SYSTEM WATTS	INPUT CURRENT			INPUT VOLTAGE	INPUT FREQUENCY	POWER FACTOR	THD	OPERATING TEMPERATURE	SURGE PROTECTION	DIMMING
	277 VAC	347 VAC	480 VAC							
75	0.27	0.22	0.16	277-480 VAC	50/60 Hz	>0.97 @277 VAC >0.88 @480 VAC	<10% @277 VAC, <19% @480 VAC	-40°F to 140°F (-40°C to 60°C)	4kV L/N 6kV L/N/G 10kV Optional	1-10V
110	0.40	0.32	0.23							
150	0.54	0.43	0.31							
200	0.72	0.58	0.42							
250	0.90	0.72	0.52							
320	1.16	0.92	0.67							

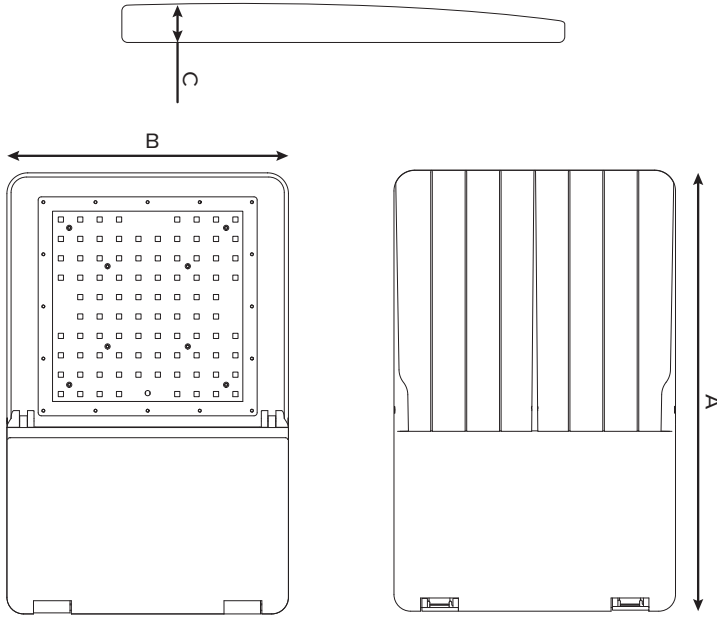
### EPA:



TILT	EPA FOR 75, 110 AND 150 WATT NOVA FIXTURES					
0°	0.19	0.38	0.39	0.54	0.51	0.75
10°	0.57	1.16	1.19	1.41	1.29	2.25
30°	0.75	1.56	1.72	2.24	2.15	3.1
60°	1.31	2.55	2.74	3.29	3.06	5.17
90°	1.43	3.01	3.19	4.29	4.19	5.87

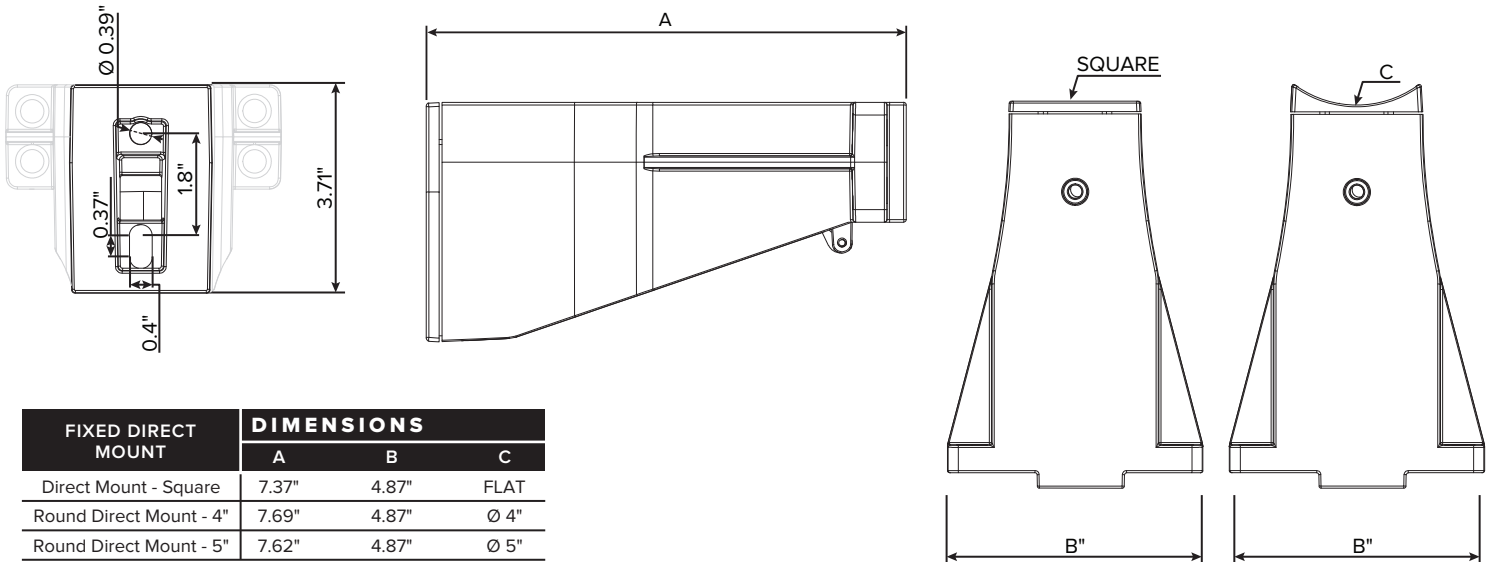
TILT	EPA FOR 200, 250 AND 320 WATT NOVA FIXTURES					
0°	0.21	0.51	0.57	1.53	1.36	1.85
10°	0.97	1.45	1.59	2.68	2.23	2.58
30°	1.95	2.81	3.24	4.37	4.16	6.35
60°	2.21	3.84	4.37	6.64	6.41	8.63
90°	2.32	4.66	5.13	7.65	7.64	11.19

### Dimensions:



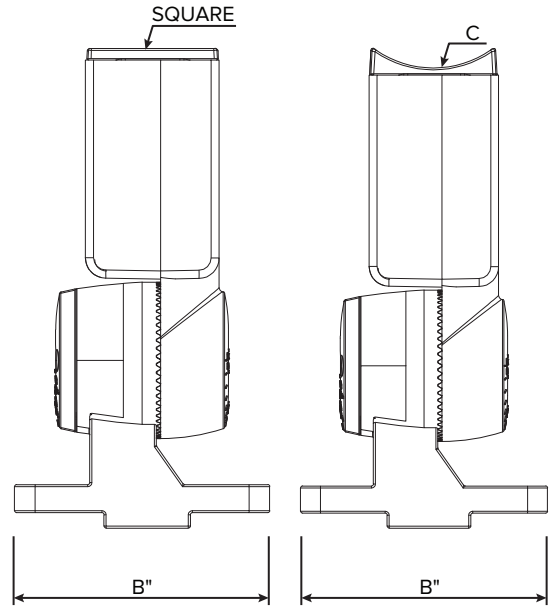
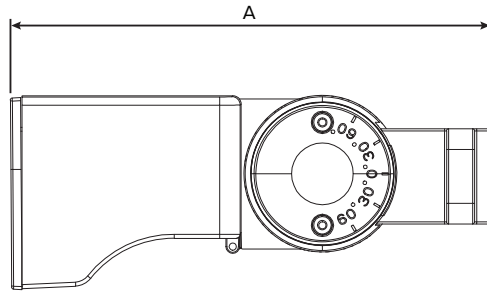
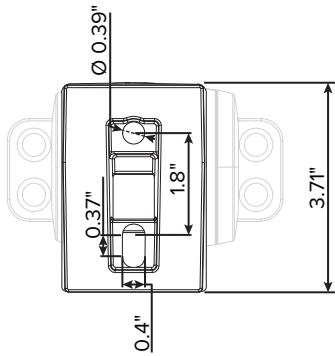
SYSTEM WATTS	DIMENSIONS			WEIGHT
	A	B	C	Pounds (lbs)
75	25.78"	10.63"	1.38"	13.25
110	25.78"	10.63"	1.38"	13.25
150	25.78"	10.63"	1.38"	13.25
200	29.53"	13.78"	2.56"	18.75
250	29.53"	13.78"	2.56"	18.75
320	29.53"	13.78"	2.56"	18.75

### Fixed Direct Mount:



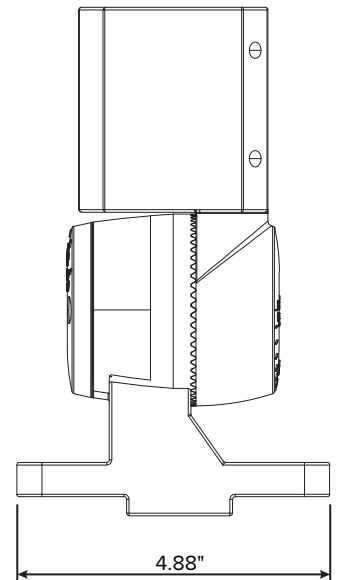
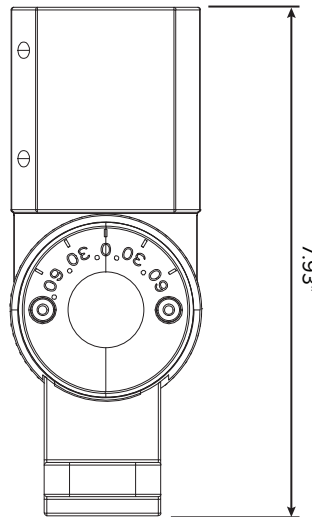
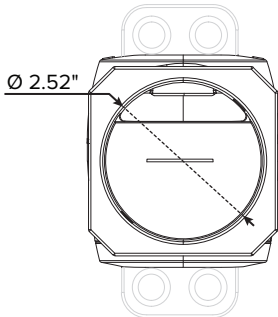
FIXED DIRECT MOUNT	DIMENSIONS		
	A	B	C
Direct Mount - Square	7.37"	4.87"	FLAT
Round Direct Mount - 4"	7.69"	4.87"	Ø 4"
Round Direct Mount - 5"	7.62"	4.87"	Ø 5"

**Direct Mount:**

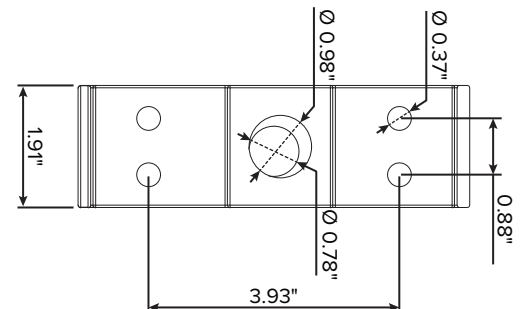
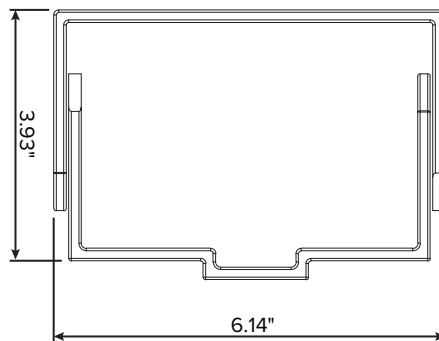
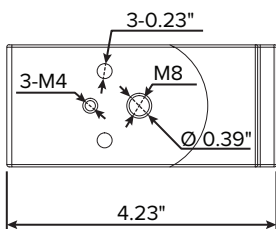


DIRECT MOUNT	DIMENSIONS		
	A	B	C
Direct Mount - Square	9.18"	4.88"	FLAT
Round Direct Mount - 4"	9.46"	4.88"	Ø 4"
Round Direct Mount - 5"	9.38"	4.88"	Ø 5"

**Slip Fitter:**

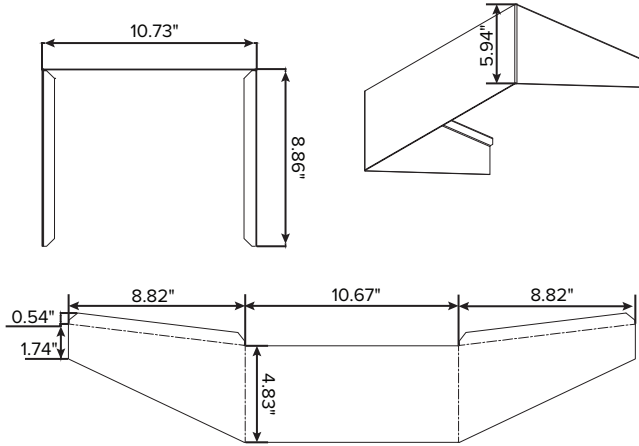


**Yoke Mount:**

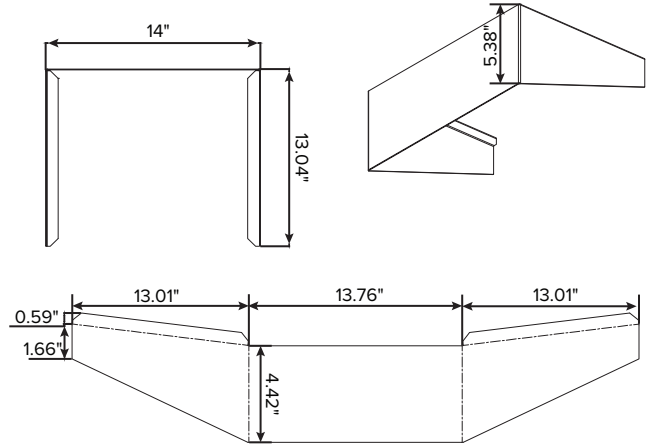


### Front Street Side Shield:

Front Street Side Shield - **Small**

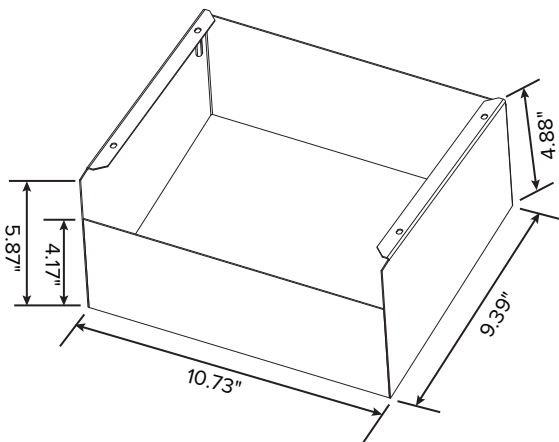


Front Street Side Shield - **Large**

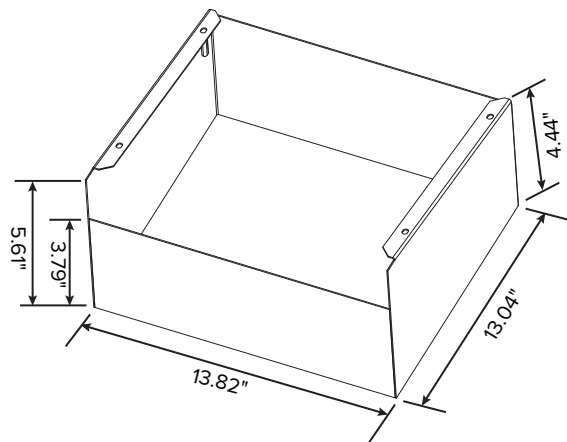


### Full Body Shield:

Full Body Shield - **Small**

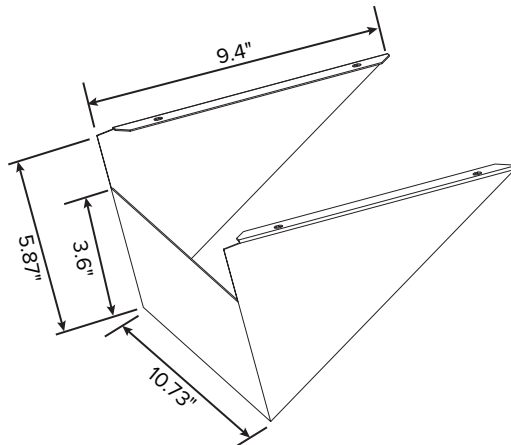


Full Body Shield - **Large**

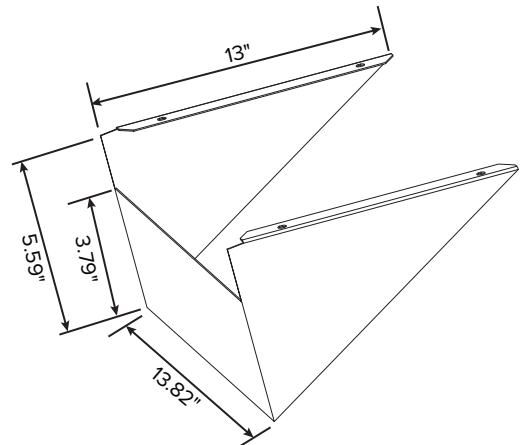


### House Side Shield:

House Side Shield - **Small**



House Side Shield - **Large**



### Performance Overview:

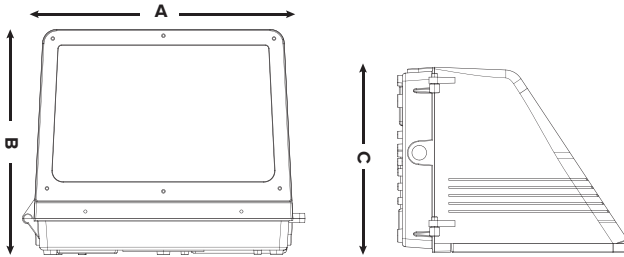
Wattage: 120  
 Lumen Output: Up to 17,090 Lumens  
 Efficacy (lm/W): Up to 143 Lumens per Watt  
 Kelvin: 3000K, 4000K, 5000K  
 Protection: Standard 10kV Surge Protection  
 CRI: >80



Project: \_\_\_\_\_ Date: \_\_\_\_\_  
 Catalog #: \_\_\_\_\_  
 Notes: \_\_\_\_\_

### Key Features & Benefits:

- 10kV surge protection standard
- 1-10V dimming
- Occupancy sensor and photocell capable
- Easy installation with built-in level and driver disconnect
- Available in White and Bronze finish



SYSTEM WATTS	DIMENSIONS			WEIGHT
	A	B	C	Pounds (lbs)
45	14.3"	11.4"	9.2"	7.06
60	14.3"	11.4"	9.2"	7.06
90	14.3"	11.4"	9.2"	10.36
120	14.3"	11.4"	9.2"	10.36

### Ordering Guide:

<b>ESL</b>	<b>FCWP</b>	<b>120W</b>	<b>1</b>				
ESL	TYPE	WATTS	GENERATION	KELVIN	VOLTAGE	FINISH*	OPTIONS
	Full Cut Off Wall Pack	120W	1 (1st Generation)	30 (3000 Kelvin) 40 (4000 Kelvin) 50 (5000 Kelvin)	Blank HV (High Voltage)	Blank (Bronze) WH (White) XX (Any color)	Factory Installed

\*Contact Factory for custom finish options

### Options (Factory Install)

<b>Emergency BBU:</b>
EMG (EMG Unit, Auto Test Function, 9 Watts Output, 90 Minutes Min, 120-277VAC Input, 10-300VDC Output, Open Terminal Block Wiring, UL Listed for Factory or Field install, Title 20)
<b>Sensors:</b>
PC (Button Photocell)
OCC (Occupancy Sensor, 0-10v Dimming, 8'-20' Mounting - Uses REM-100 for programming)

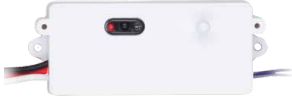
### Accessories (Field Install)

<b>Emergency BBU:</b>
ESL-REM-100 (Hand Held Remote)

†Not All Part Numbers DLC Qualified. For a Complete Listing Please Consult the DLC Qualified Products List (QPL).



### Options & Accessories:



#### ESL-4OCC-LDD

Sensor Type: Microwave  
 Sensitivity Adjustment: 20% / 50% / 75% / 100%  
 Dimming Control Output: 0-10V  
 Detection Radius/angle: Max. 26ft/360°  
 Detection Area (square footage): 2123ft<sup>2</sup>@20ft/360°  
 Mounting Height: 20ft Max  
 Remote Range: 50ft  
 Programming: Via Dip Switch

For more information please see the  
 ESL-4OCC-LDD cut sheet



#### ESL-EMG-SL1-OTB-9W

Output Power: 9 Watts  
 Rated Voltage: 100-277 VAC, 50-60Hz  
 Emergency Operation: ≥90 Minutes  
 Charging Time: 24 Hours  
 2-Wire Illumination Test Switch  
 Lithium-Ion Battery  
 RoHS Compliant  
 UL 924, CSA C.22.2 No. 141-15, CEC Title 20



#### ESL-REM-100



ESL-WP-PC

### Catalog Data:

ESL	TYPE	WATTAGE	GENERATION	KELVIN									INPUT* VOLTAGE
				3000K (30)			4000K (40)			5000K (50)			
				LUMENS	LPW	DLC QPL	LUMENS	LPW	DLC QPL	LUMENS	LPW	DLC QPL	
ESL-FCWP-45W				6,547	143	POQRQ95F	6,566	141	P2FJDS54	6,688	142	PYK05NEP	(BLANK)

ESL	TYPE	WATTAGE	GENERATION	KELVIN									INPUT* VOLTAGE
				3000K (30)			4000K (40)			5000K (50)			
				LUMENS	LPW	DLC QPL	LUMENS	LPW	DLC QPL	LUMENS	LPW	DLC QPL	
ESL-FCWP-60W				8,905	146	PZICMTQR	8,939	144	PVROFBN1	9,019	144	P8B84CG3	(BLANK)
				8,905	146	PZICMTQR	8,939	144	PVROFBN1	9,019	144	P8B84CG3	(HV)

ESL	TYPE	WATTAGE	GENERATION	KELVIN									INPUT* VOLTAGE
				3000K (30)			4000K (40)			5000K (50)			
				LUMENS	LPW	DLC QPL	LUMENS	LPW	DLC QPL	LUMENS	LPW	DLC QPL	
ESL-FCWP-90W				12,814	145	PLXY5L14	12,902	143	PGCA3VT3	12,989	145	PIUGEBDW	(BLANK)
				12,814	145	PLXY5L14	12,902	143	PGCA3VT3	12,989	145	PIUGEBDW	(HV)

ESL	TYPE	WATTAGE	GENERATION	KELVIN									INPUT* VOLTAGE
				3000K (30)			4000K (40)			5000K (50)			
				LUMENS	LPW	DLC QPL	LUMENS	LPW	DLC QPL	LUMENS	LPW	DLC QPL	
ESL-FCWP-120W				16,722	143	P2KYO0P6	16,837	141	P5D5EHU1	17,090	142	P4TY7QMS	(BLANK)
				16,722	143	P2KYO0P6	16,837	141	P5D5EHU1	17,090	142	P4TY7QMS	(HV)

\* Input Voltage: (Blank) = 120-277 VAC, (HV) = 277-480 VAC

### Construction:

- Die Cast Aluminum Housing
- High Performance Heat Sink
- Weathertight LED Driver Housing
- Continuous Gasket Seal
- LEDs Mounted to and Protected by Aluminum Housing with Easy Driver Access Hinged Door

### Optical:

- Precision Engineered Optical Lens:
  - Consistent Uniformity
  - Impact Resistant
  - UV Protection

### Electrical:

- Input Voltage Options: 120-277 VAC, 277-480 VAC
- Life: >50,000 hours
- Dimming: 1-10V Dimmable
- 10kV Surge Protection

### Lumen Ambient Temperature (LAT) Multipliers:

AMBIENT		LUMEN MULTIPLIER
0 °C	32 °F	1.02
10 °C	50 °F	1.01
20 °C	68 °F	1
25 °C	77 °F	1
30 °C	86 °F	1
40 °C	104 °F	0.99
50 °C	122 °F	0.96

### Driver Summary:

SYSTEM WATTS	OUTPUT CURRENT	OUTPUT POWER
45	900 mA	35-52 VDC
60	1200 mA	30-50 VDC
90	1700 mA	35-52 VDC
120	2300 mA	35-52 VDC

### Electrical Load - Standard Voltage:

SYSTEM WATTS	INPUT CURRENT				INPUT VOLTAGE	INPUT FREQUENCY	POWER FACTOR	THD	OPERATING TEMPERATURE	SURGE PROTECTION	DIMMING
	120 VAC	208 VAC	240 VAC	277 VAC							
45	0.38	0.22	0.19	0.16	120-277 VAC	50/60 Hz	>0.98 @120 VAC >0.90 @277 VAC	<20%	-40°F to 131°F (-40°C to 55°C)	Independent 10kV SPD	1-10V
60	0.50	0.29	0.25	0.22							
90	0.75	0.43	0.38	0.32							
120	1.00	0.58	0.50	0.43							

### Electrical Load - High Voltage:

SYSTEM WATTS	INPUT CURRENT			INPUT VOLTAGE	INPUT FREQUENCY	POWER FACTOR	THD	OPERATING TEMPERATURE	SURGE PROTECTION	DIMMING
	277 VAC	347 VAC	480 VAC							
60	0.22	0.17	0.13	277-480 VAC	50/60 Hz	>0.90 @277 VAC >0.96 @480 VAC	<15% @277 VAC, <20% @480 VAC	-40°F to 158°F (-40°C to 70°C)	Independent 10kV SPD	1-10V
90	0.32	0.26	0.19							
120	0.43	0.35	0.25							