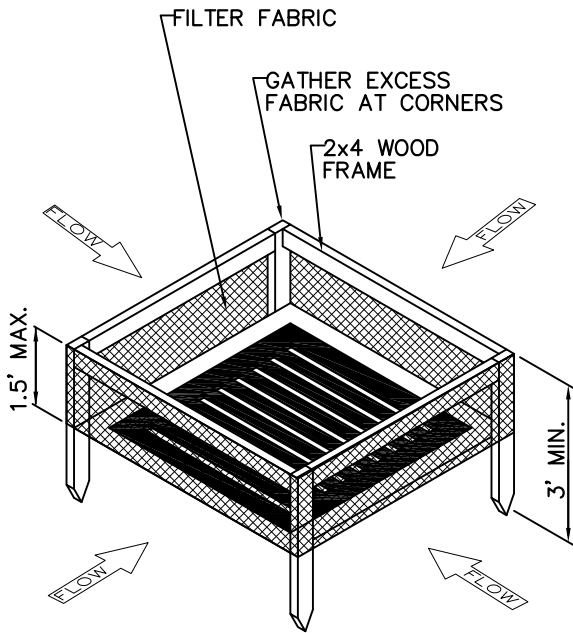
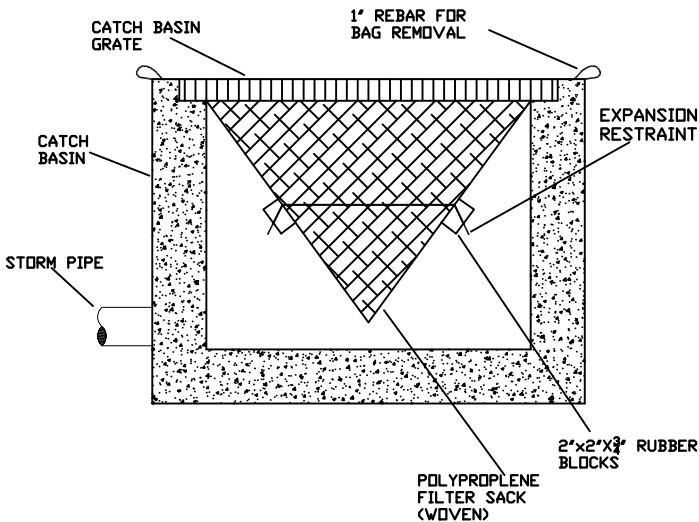
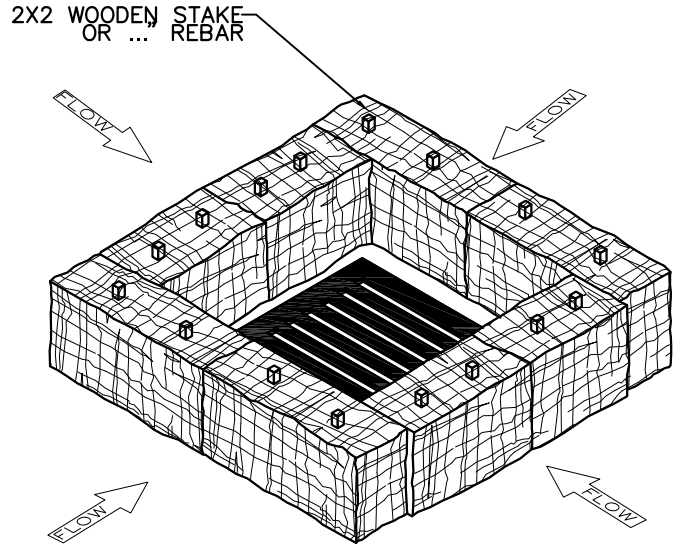


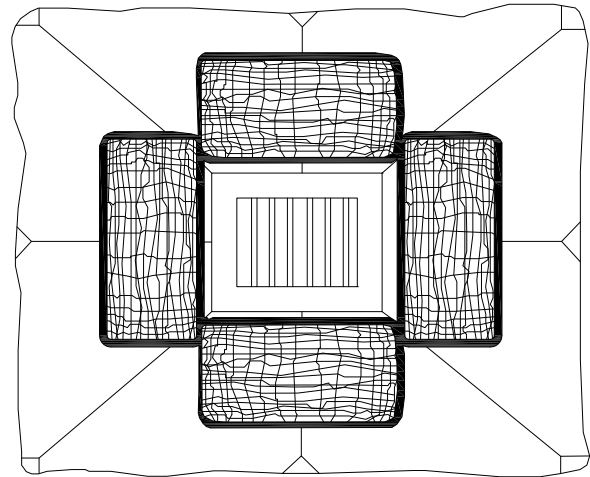
SILT FENCING
INSTALLATION PER
STANDARD DETAIL #602



STRAW BALES ARE TO BE PLACED 4 INCHES INTO THE SOIL, TIGHTLY ABUTTING WITH NO GAP. STAKE AND BACKFILL AROUND THE ENTIRE OUTSIDE PERIMETER.



WOVEN POLYPROPELENE SACK



BID BAG FILTER

THIS METHOD OF INLET PROTECTION IS TO BE USED WHERE THE INLET DRAIN IS LOCATED IN A RELATIVELY FLAT UNPAVED AREA (SLOPE <5%).

THIS METHOD OF INLET PROTECTION SHALL NOT BE USED IN STREETS, TRAVELED AREAS, OR AREAS OF CONCENTRATED FLOW (DITCHES).