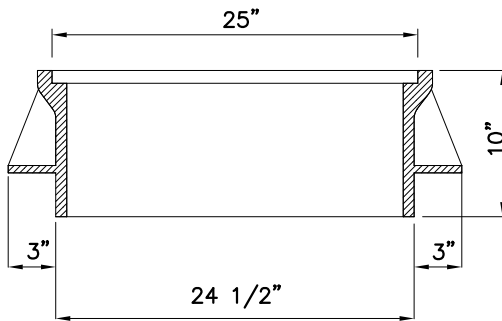
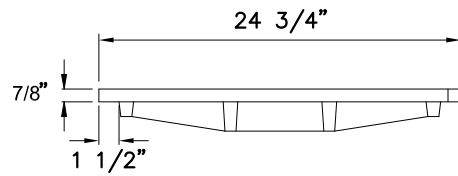
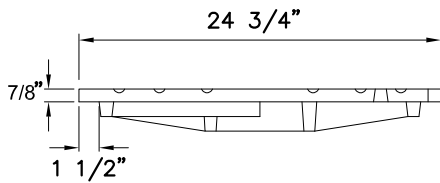
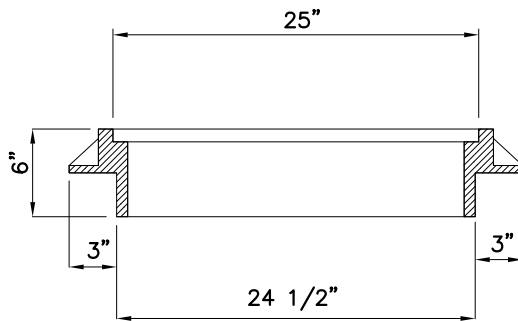


STORM



STANDARD FRAME



SUBURBAN FRAME

NOTES

1. USE SUBURBAN TYPE FRAME IN NON-TRAFFIC AREAS ONLY.
2. COVER AND FRAME SHALL BE CAST IRON, ASTM A-48 CLASS 30 AND MEET H-20 LOAD RATING.
3. COVER AND FRAME TO HAVE TRUE BEARING ALL AROUND.

REVISIONS:

**STORM WATER
 MANHOLE FRAME
 AND COVER**

SCALE:	N.T.S
DATE:	Sept. 2010
APPROVED BY:	D. Danicic
STANDARD DRAWING	411