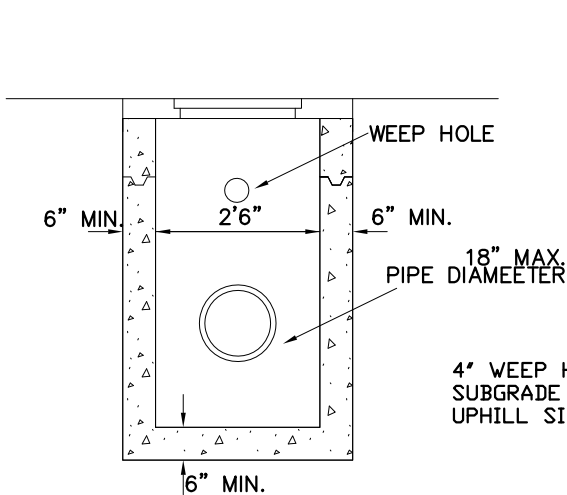


**NOTES:**

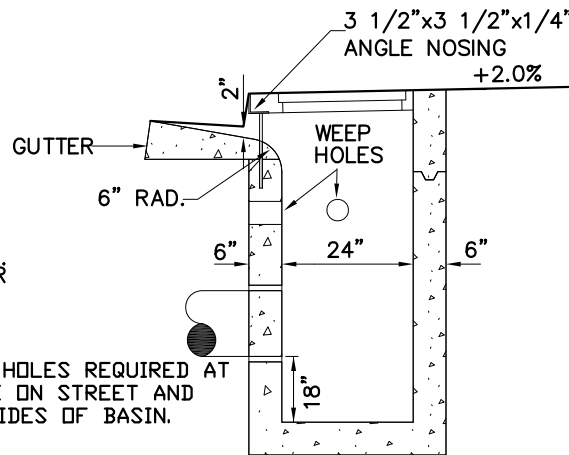
ALL METAL PARTS SHALL BE HOT DIPPED GALVANIZED AFTER FABRICATION.

TOP AND COVER SHALL BE REINFORCED WITH 4" X 4" #6 WIRE MESH REINFORCING.

CONCRETE SHALL ATTAIN A STRENGTH OF 3000 PSI AT 28 DAYS



BASE SECTION PRE-CAST OR CAST IN PLACE SECTION B-B



BASE SECTION PRE-CAST OR CAST IN PLACE SECTION A-A

4" WEEP HOLES REQUIRED AT SUBGRADE ON STREET AND UPHILL SIDES OF BASIN.

**City of Newberg**  
 PUBLIC WORKS ENGINEERING DIVISION  
 414 E. FIRST STREET NEWBERG, OR 97132  
 PHONE: 503-537-1240  
 FAX: 503-537-1277

REVISIONS:
12/01/07

# PELICAN CATCH BASIN

SCALE:	N.T.S
DATE:	May 2007
APPROVED BY:	D. Danilic
STANDARD DRAWING	407