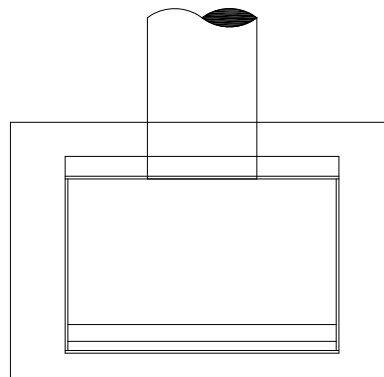


SECTION A-A



PLAN VIEW

NOTES:

1. CONCRETE SHALL HAVE MIN. STRENGTH OF 3000 PSI AT 28 DAYS.
2. SEE STANDARD DRAWING NO. 404 FOR FRAME AND GRATE

REVISIONS:

DITCH INTERCEPTOR  
TYPE A

SCALE:	N.T.S
DATE:	May 2007
APPROVED BY:	D. Danicic
STANDARD DRAWING	403