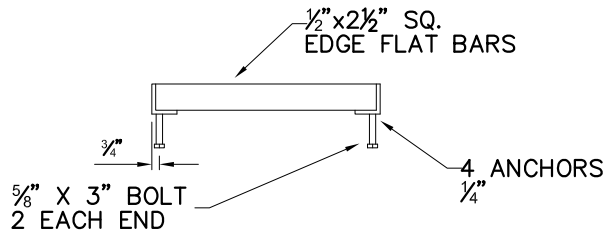
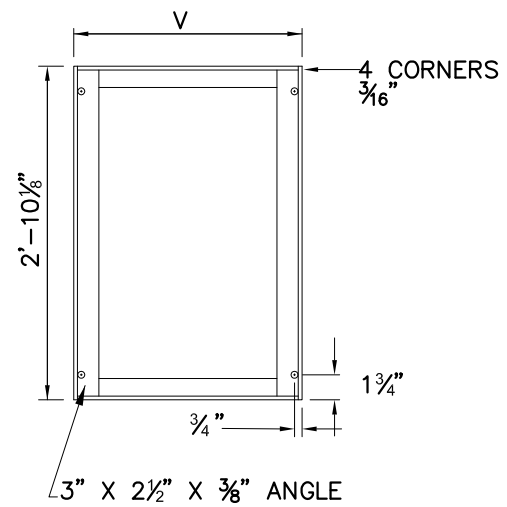
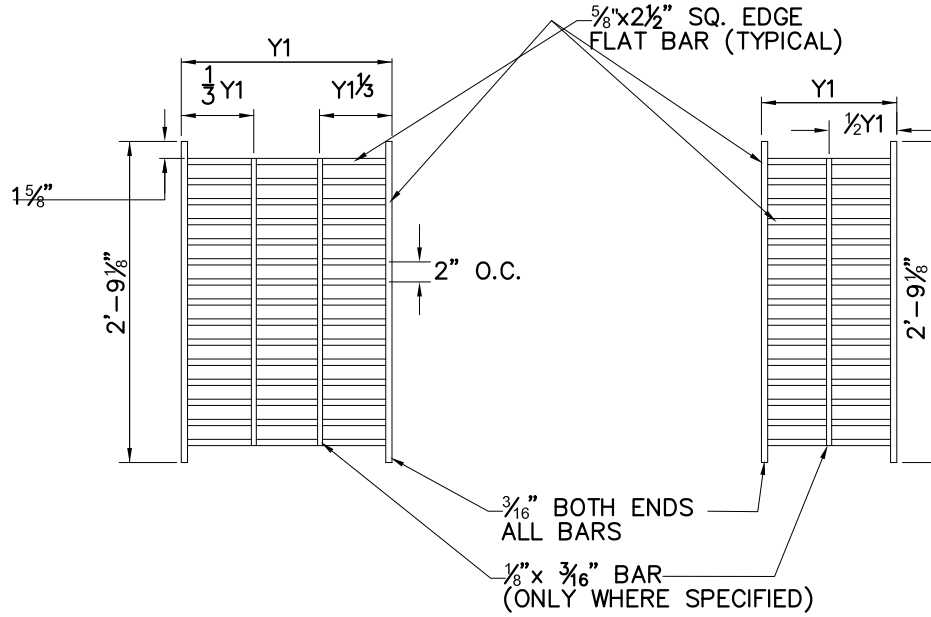


GRATE-TYPE 1

GRATE-TYPE 2



FRAME

- NOTES
1. ALL MATERIAL TO BE A-36 STEEL.
 2. CROSS BARS TO BE FLUSH WITH SURFACE AND MAY BE FILLET WELDED.

INLET TYPE	V	Y1	NO. OF BARS	TYPE	REMARKS
N-1, CN-1	2'-3 1/4"	2'-2 1/8"	17	1	
N-2, N-2	2'-9 1/4"	1'-4"	17	2	2 GRATES

City of
Newberg

PUBLIC WORKS ENGINEERING DIVISION
414 E. FIRST STREET NEWBERG, OR 97132
PHONE: 503-537-1240
FAX: 503-537-1277

REVISIONS:

CATCH BASIN
FRAME AND GRATE

SCALE:	N.T.S
DATE:	May 2007
APPROVED BY:	D. Danicic
STANDARD DRAWING	402