

FRIENDSVIEW RCF PHASE 1

Exhibit J: Luminaire Cut Sheets

Land Use Luminaire Cut Sheets

Friendsview RCF 1
2020-0287

Prepared for:

LRS Architects

Prepared by:

Deborah Raines, MIES

December 18, 2020

THE EDGE® Series

LED Area Luminaire – Round

TYPE SA

Rev. Date: V7 06/29/2020

Product Description

THE EDGE® Series has a slim, low profile design. Its rugged cast aluminum housing minimizes wind load requirements and features an integral, weathertight LED driver compartment, spun vented cover, high performance aluminum heat sinks and leaf/debris guard.

Applications: Auto Dealerships, parking lots, campuses, facade lighting and general site lighting applications

Performance Summary

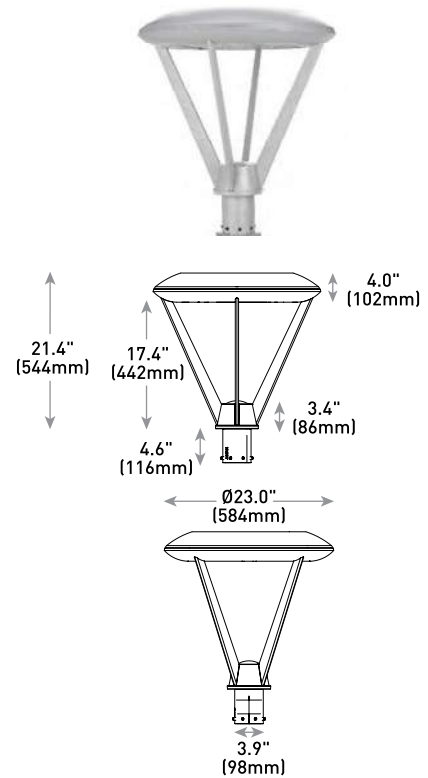
Patented NanoOptic® Product Technology
Assembled in the U.S.A. of U.S. and imported parts
CRI: Minimum 70 CRI
CCT: 4000K (+/- 300K), 5700K (+/- 500K) standard
Limited Warranty*: 10 years on luminaire/10 years on Colorfast DeltaGuard® finish

* See <http://creelighting.com/warranty> for warranty terms

Accessories

Field-Installed	
Bird Spikes XA-BRDSPK	Backlight Control Shields XA-20BLS-4 - Four-pack - Unpainted stainless steel

R3 Mount



LED Count (x10)	Weight
04	33.8 lbs. (15.3kg)
06	35.2 lbs. (15.9kg)
08	37.0 lbs. (16.8kg)
10	40.7 lbs. (18.5kg)
12	42.4 lbs. (19.3kg)

R4/R5 Mount - see page 14 for weight & dimensions

Ordering Information

Example: ARE-EDR-2M-R3-12-E-UL-SV-350

ARE-EDR	Product	Optic	Mounting*	LED Count (x10)	Series	Voltage	Color Options	Drive Current	Options
ARE-EDR	2M Type II Medium	3MP Type III Medium	R3 Spider, Center	04** 06** 08**	E	UL Universal 120-277V	BK Black	350 350mA	DIM 0-10V Dimming - Control by others - Refer to Dimming spec sheet for details - Can't exceed specified drive current
	2MB Type II Medium w/BLS	4M Type IV Medium	R4 Spider, Center	10 12		UH Universal 347-480V	BZ Bronze	525 525mA	HL Hi/Low (Dual Circuit Input) - Refer to HL spec sheet for details - Sensor not included
	2MP Type II Medium w/Partial BLS	4MB Type IV Medium w/BLS	R5 Spider, Center				SV Silver	700 700mA	P Photocell - Available with UL voltage only
	3M Type III Medium	4MP Type IV Medium w/Partial BLS					WH White	- Available with 40-60 LEDs	40K 4000K Color Temperature - Minimum 70 CRI - Color temperature per luminaire
	3MB Type III Medium w/BLS	5M Type V Medium							TRL Amber Turtle Friendly LEDs - Available only with 350mA - Lumen multiplier from 5700K: 0.32 (350mA) - Power multiplier: 0.76 - 600nm dominant wavelength - Additional shielding (by others) may be required for Florida Fish and Wildlife Conservation Commission compliance
		5S Type V Short							

* Reference EPA and pole configuration suitability data beginning on page 14
** Consists of multiple 20 LED light bars. 40, 60, and 80 LED units use blanks as needed in place of populated light bars



Product Specifications

CONSTRUCTION & MATERIALS

- Slim, low profile, minimizing wind load requirements
- Luminaire sides are rugged die cast aluminum with integral, weathertight LED driver compartment, spun vented cover, and high performance aluminum heat sinks
- R3 spider mount hub slip-fits over a 2.375" (60mm) to 3" (76mm) O.D. minimum 4" (102mm) H steel or aluminum tenon or pole and secures with eight set screws
- R4 spider mount fits directly inside 4" (102mm) square pole and secures to pole with four set screws
- R5 spider mount fits directly inside of a 5" (127mm) round pole to provide a clean hardware-less outer appearance
- Includes leaf/debris guard
- Exclusive Colorfast DeltaGuard® finish features an E-Coat epoxy primer with an ultra-durable powder topcoat, providing excellent resistance to corrosion, ultraviolet degradation and abrasion. Black, bronze, silver, and white are available
- **Weight:** See Dimensions and Weight charts on pages 1 and 14

ELECTRICAL SYSTEM

- **Input Voltage:** 120-277V or 347-480V, 50/60Hz, Class 1 drivers
- **Power Factor:** > 0.9 at full load
- **Total Harmonic Distortion:** < 20% at full load
- **10V Source Current:** 40-80 LEDs: 0.15mA; 100-120 LEDs: 0.30mA
- Integral 10kV surge suppression protection standard
- When code dictates fusing, a slow blow fuse or type C/D breaker should be used to address inrush current
- Consult factory if in-luminaire fusing is required

REGULATORY & VOLUNTARY QUALIFICATIONS

- cULus Listed
- Suitable for wet locations
- Meets FCC Part 15, Subpart B, Class A limits for conducted and radiated emissions
- Enclosure meets IP66 requirements per IEC 60529 when ordered without P option
- Certified to ANSI C136.31-2001, 1.5G normal vibration standards when ordered with R3, R4 and R5 mounts
- ANSI C136.2 10kV surge protection, tested in accordance with IEEE/ANSI C62.41.2
- Luminaire and finish endurance tested to withstand 5,000 hours of elevated ambient salt fog conditions as defined in ASTM Standard B 117
- DLC qualified with select SKUs. Refer to <https://www.designlights.org/search/> for most current information
- Meets Buy American requirements within ARRA
- **CA RESIDENTS WARNING:** Cancer and Reproductive Harm – www.p65warnings.ca.gov

Electrical Data*							
LED Count (x10)	System Watts 120-480V	Total Current (A)					
		120V	208V	240V	277V	347V	480V
350mA							
04	46	0.36	0.23	0.21	0.20	0.15	0.12
06	66	0.52	0.31	0.28	0.26	0.20	0.15
08	90	0.75	0.44	0.38	0.34	0.26	0.20
10	110	0.92	0.53	0.47	0.41	0.32	0.24
12	130	1.10	0.63	0.55	0.48	0.38	0.28
525mA							
04	70	0.58	0.34	0.31	0.28	0.21	0.16
06	101	0.84	0.49	0.43	0.38	0.30	0.22
08	133	1.13	0.66	0.58	0.51	0.39	0.28
10	171	1.43	0.83	0.74	0.66	0.50	0.38
12	202	1.69	0.98	0.86	0.77	0.59	0.44
700mA							
04	93	0.78	0.46	0.40	0.36	0.27	0.20
06	134	1.14	0.65	0.57	0.50	0.39	0.29

* Electrical data at 25°C (77°F). Actual wattage may differ by +/- 10% when operating between 120-277V or 347-480V +/- 10%

THE EDGE® Series Ambient Adjusted Lumen Maintenance ¹						
Ambient	CCT	Initial LMF	25K hr Reported ² LMF	50K hr Reported ² LMF	75K hr Estimated ³ LMF	100K hr Estimated ³ LMF
5°C (41°F)	30K/40K/50K/57K	1.04	1.01	0.99	0.98	0.96
	TRL	1.06	1.06	1.06	1.06	1.06
10°C (50°F)	30K/40K/50K/57K	1.03	1.00	0.98	0.97	0.95
	TRL	1.04	1.04	1.04	1.04	1.04
15°C (59°F)	30K/40K/50K/57K	1.02	0.99	0.97	0.96	0.94
	TRL	1.03	1.03	1.03	1.03	1.03
20°C (68°F)	30K/40K/50K/57K	1.01	0.98	0.96	0.95	0.93
	TRL	1.01	1.01	1.01	1.01	1.01
25°C (77°F)	30K/40K/50K/57K	1.00	0.97	0.95	0.94	0.92
	TRL	1.00	1.00	1.00	1.00	1.00

¹ Lumen maintenance values at 25°C (77°F) are calculated per IES TM-21 based on IES LM-80 report data for the LED package and in-situ luminaire testing. Luminaire ambient temperature factors (LATF) have been applied to all lumen maintenance factors. Please refer to the [Temperature Zone Reference Document](#) for outdoor average nighttime ambient conditions.

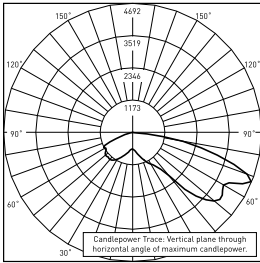
² In accordance with IES TM-21, Reported values represent interpolated values based on time durations that are up to 6x the tested duration in the IES LM-80 report for the LED.

³ Estimated values are calculated and represent time durations that exceed the 6x test duration of the LED.

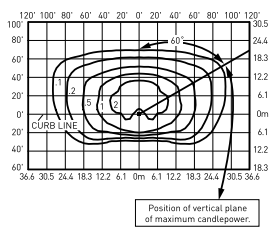
Photometry

All published luminaire photometric testing performed to IES LM-79-08 standards. To obtain an IES file specific to your project consult: <http://creelighting.com/products/outdoor/area/cree-edge-series-1>

3MP



RESTL Test Report #: PL10097-002B
ARE-EDG-3MP--06-E-UL-525-40K**
Initial Delivered Lumens: 8,670



ARE-EDR-3MP--10-E-UL-525-40K**
Mounting Height: 25' (7.6m) A.F.G.
Initial Delivered Lumens: 14,548
Initial FC at grade

Type III Medium Distribution w/Partial BLS				
LED Count (x10)	4000K		5700K	
	Initial Delivered Lumens*	BUG Ratings** Per TM-15-11	Initial Delivered Lumens*	BUG Ratings** Per TM-15-11
350mA				
04	4,158	B1 U0 G1	4,240	B1 U0 G1
06	6,166	B1 U0 G2	6,288	B1 U0 G2
08	8,221	B2 U0 G2	8,384	B2 U0 G2
10	10,252	B2 U0 G2	10,455	B2 U0 G3
12	12,302	B2 U0 G3	12,546	B2 U0 G3
525mA				
04	5,901	B1 U0 G2	6,024	B1 U0 G2
06	8,750	B2 U0 G2	8,933	B2 U0 G2
08	11,667	B2 U0 G3	11,911	B2 U0 G3
10	14,548	B3 U0 G3	14,853	B3 U0 G3
12	17,458	B3 U0 G3	17,824	B3 U0 G3
700mA				
04	6,964	B2 U0 G2	7,106	B2 U0 G2
06	10,327	B2 U0 G2	10,537	B2 U0 G3

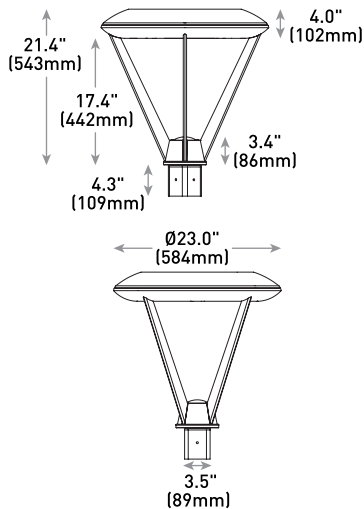
* Initial delivered lumens at 25°C (77°F). Actual production yield may vary between -10 and +10% of initial delivered lumens

** For more information on the IES BUG (Backlight-Uplight-Glare) Rating visit: <https://www.ies.org/wp-content/uploads/2017/03/TM-15-11BUGRatingsAddendum.pdf>

Luminaire EPA

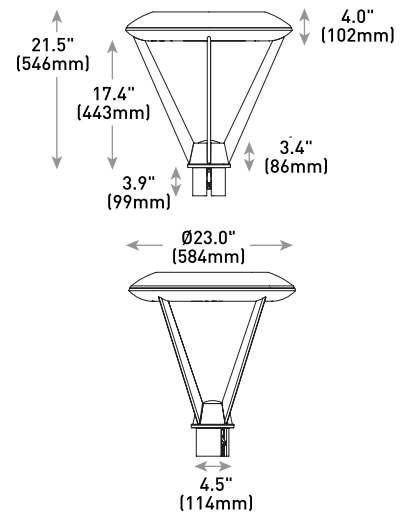
Post Top Mount – ARE-EDR-R3/R4/R5		
LED Count (x10)	Single R3	Single R4/R5
04	1.81	1.67
06	1.81	1.67
08	1.81	1.67
10	1.81	1.67
12	1.81	1.67

R4 Mount



LED Count (x10)	Weight
04	36.2 lbs. (16.4kg)
06	37.6 lbs. (17.0kg)
08	39.3 lbs. (17.8kg)
10	43.0 lbs. (19.5kg)
12	44.8 lbs. (20.3kg)

R5 Mount



LED Count (x10)	Weight
04	33.3 lbs. (15.1kg)
06	34.6 lbs. (15.7kg)
08	36.4 lbs. (16.5kg)
10	40.1 lbs. (18.2kg)
12	41.9 lbs. (19.0kg)

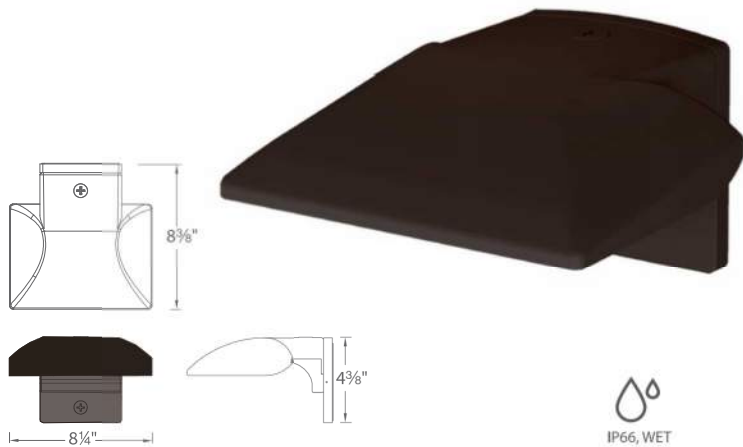
HAWK - model: WP-LED2

Endurance Wallpack

TYPE SD

WAC LIGHTING

Responsible Lighting®



Fixture Type:

Catalog Number:

Project: _____

Location: _____

PRODUCT DESCRIPTION

Die cast aluminum factory sealed housings with patent pending design for a water and dust proof IP66 rated outdoor luminaire

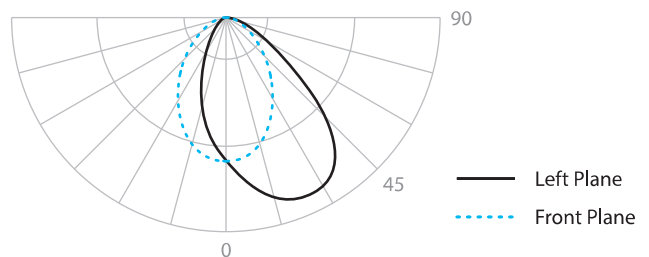
FEATURES

- Factory-Sealed LED Light Engine
- Die-Cast Aluminum Construction
- 20° Forward Throw Illumination
- Photo/Motion Sensor Compatible (Sold Separately)
- Built-in Level For Easy Adjustment
- Suitable to install in all directions
- Multi-Function Dimming: ELV (120V) or 0-10V
- 85 CRI
- 100,000 hour rated life

SPECIFICATIONS

- Construction:** Die-cast aluminum
- Power:** Integral driver in luminaire. Universal voltage input (120V-277V)
- Dimming:** 100% - 30% with 0 - 10V dimmer (120V - 277V)
100% - 15% with Electronic Low Voltage (ELV) dimmer (120V only)
- Finish:** Architectural Bronze, Graphite, and White
- Standards:** IP66, Wet Location, ETL & cETL Listed
- Total Harmonic Distortion:** 35%
- Operating Temperature:** -40°C (-40°F) to 40°C (104°F)

PHOTOMETRY



ORDER NUMBER

		Power	Comparable	Color Temp	Delivered Lumens	CBCP	Finish
	WP-LED219	19W	39W HID	30 3000K	1345	1022	aBZ Architectural Bronze aGH Architectural Graphite aWT Architectural White
				50 5000K	1435	1056	
	WP-LED227	27W	70W HID	30 3000K	2050	1436	
				50 5000K	2095	1478	

- -

Example: **WP-LED219-30-GH**

ACCESSORIES

Motion Sensor (120V)

MS-120-BZ	Bronze
MS-120-GY	Gray
MS-120-WT	White

Photo Sensor (120V)

PC-120-BZ	Bronze
PC-120-GY	Gray
PC-120-WT	White

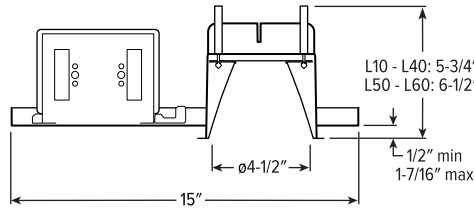
WAC Lighting
 www.waclighting.com
 Phone (800) 526.2588 • Fax (800) 526.2585

Headquarters/Eastern Distribution Center
 44 Harbor Park Drive • Port Washington, NY 11050
 Phone (516) 515.5000 • Fax (516) 515.5050

Western Distribution Center
 1750 Archibald Avenue • Ontario, CA 91760
 Phone (800) 526.2588 • Fax (800) 526.2585

4DR LED 4.5" Downlight – Round

TYPE SF



CATALOG #: _____
 TYPE: _____
 PROJECT: _____

NEW CONSTRUCTION AND REMODEL

FEATURES

TrimLock®

- Innovative TrimLock reflector retention system ensures trim remains flush with ceiling plane
- Industry-leading efficacies as high as 113 lm/W – ENERGY STAR® certified
- Available on QuickShip

SPECIFICATIONS

- HOUSING** – Die-cast aluminum trim housing with forged aluminum heat sink. Galvanized steel splice compartment with driver mounting plate/enclosure. Swing-out mounting arms adjust for ceiling thickness from 1/2" - 1-7/16" (see options for additional ceiling thicknesses).
- TRIMLOCK** – Innovative TrimLock reflector retention system ensures the trim remains flush with the ceiling plane.
- OPEN REFLECTOR** – Low-iridescent anodized aluminum. Clear semi-specular finish standard.
- LENSED TRIM** – Die-cast aluminum frame with micro-prismatic, tempered glass lens.
- ELECTRICAL** – High-performance Class 2 C.O.B. LED array. Modular quick-connect plug for easy field-connection of LED light assembly to driver. Reported L70>55,000 hours. Reported L90>55,000 hours. Estimated L70 = 200,000 hours.
- MOUNTING** – Recessed. 20 ga. galvanized steel mounting pan for new construction or IC-rated enclosure. Remodel kit option includes receiver bracket hardware. Minimum 24" O.C. marked spacing required for L50 and L60 lumen packages.
- LISTINGS** –
 - cCSAus conforms to UL STD 1598; Certified to CAN/CSA STD C22.2 No. 250.0 for damp locations. LED light assembly conforms to UL 2108 for remote installation.
 - Suitable for wet location under covered ceiling when specified with WET/CC or TD options.
 - ENERGY STAR® certified in select configurations, see www.energystar.gov
 - IC-rated for direct contact with insulation when specified with I Mounting Type.
 - City of Chicago Environmental Air approved when specified with CP option.
 - Complies with ASTM-E283 when specified with ATH option.
 - RoHS compliant.
 - Title 24 (JAB) compliant in select configurations, see www.cacertappliances.energy.ca.gov.
- WARRANTY** – 5-year limited warranty, see hew.com/warranty.

ORDERING EXAMPLE: 4DR - TL - L20/835 - OPTIONS - DIM - UNV - OW - OF - CS - TRIM OPTIONS - N - F1

HOUSING

SERIES	LUMENS ^[1]	CRI	CCT	OPTIONS	CONTROL ^[2]	VOLTAGE
4DR - TL	L10 1,000lm ^[3]	8 80	27 2700K	SCA__ Sloped ceiling adapter ^[5]	DIM Dimming driver, 0-10V	UNV 120-277V
TrimLock	L15 1,500lm	9 90 ^[4]	30 3000K	ATH Airtight construction	DIM1 1% Dimming driver, 0-10V	347 347V ^[6]
	L20 2,000lm		35 3500K	F Fuse		
	L30 3,000lm		40 4000K	EM/7W 7-watt emergency battery ^[7]		
	L40 4,000lm		50 5000K	EM/10W 10-watt emergency battery ^[8]		
	L50 5,000lm			EM/10W/RTS 10-watt emergency battery with regressed test switch ^[9]		
	L60 6,000lm			CP Chicago plenum (CCEA) ^[10]		
				SDT Stepdown transformer ^[11]		
				TC Adjustable mounting arms for 1-1/2" – 2-1/4" thick ceilings		

TRIM^[12]

TRIM TYPE	DISTRIBUTION ^[13]	FLANGE TYPE	REFLECTOR FINISH	TRIM OPTIONS
O Open reflector	W Wide	OF 1/2" standard flange	Open trim types	MWT Textured white trim flange ^[20]
L Flush lens	65° Open	SF 1/4" mud-in flange ^[19]	CS Clear semi-specular anodize	IP IP65 rated trim ^[21]
R Regressed lens	50° Flush		SG Satin-glow anodize	AD Diffuse acrylic lens ^[22]
A Angled lens ^[14]	50° Regressed		GD Gold anodize	PD Diffuse 1/8" polycarbonate lens ^[23]
S Non-conductive flush lens for shower applications ^[15]	M Medium ^[16]		CG Champagne gold anodize	TD Diffuse polycarbonate lens media at top of open reflector ^[24]
	45° Open		PW Pewter anodize	WET/CC Wet location, covered ceiling listed ^[25]
	35° Flush		SPC Clear specular anodize	AM Anti-microbial ^[26]
	N Narrow ^[17]		RG Rose gold anodize	
	10° Open		WH White texture powder coat	
	25° Flush		BL Black texture powder coat	
	25° Regressed		MB Black texture splay with white flange ^[27]	
	WW Wall wash ^[18]			
			Lens trim types	
			CS Clear semi-specular powder coat	
			WH White texture powder coat	
			BL Black texture powder coat	
			MB Black texture splay with white flange ^[27]	

MOUNTING

MOUNTING TYPE^[28]

- N Open pan for new construction
- I IC-rated enclosure for new construction^[30]
- R Remodel kit^[31]

MOUNTING HARDWARE^[29]

- F1 Integral 2-position fixed pan bracket, universal bar hanger included^[32]
- BA1 Adjustable butterfly pan bracket, bar hanger not included^[33]
- CA1 Adjustable caterpillar pan bracket, universal bar hanger included^[34]

NOTES

- Lumen output based on O trim type, W distribution and CS finish, 3500K/80CRI. Actual lumens may vary +/-5%, see page 2 for FIXTURE PERFORMANCE DATA
- See page 4 for ADDITIONAL CONTROL OPTIONS.
- Not available with EM/10W emergency batteries.
- Extended lead times may apply. Consult factory for availability.
- 9" aperture, specify degrees of slope in 5° increments, 05°-30°. See page 4 for SLOPED CEILING ADAPTOR DETAILS. Not available with ATH or TC options. N Mounting Type only. Not available with WET/CC.
- Not available with EM batteries or DMX controls.
- N and R Mounting Types only.
- N and R Mounting Types only.
- Not available with WET/CC, ATH or IP options. N and R Mounting Types only. See page 5 for EM/10W/RTS DETAILS.
- I Mounting Type required.
- May be required for 347V, see product builder at hew.com/product-builder
- Trim ships separately.
- Beam angle based on CS or WH reflector finish.
- Available with WW Distribution only.
- W Distribution, OF Flange Type, WH Reflector Finish only. Standard with AD diffuse acrylic lens. IP and WET/CC options standard.
- Not available with lumen stops L50 and higher when specified with flush or regressed trim types.
- Not available with lumen stops L50 and higher when specified with flush or regressed trim types.
- O and A Trim Types only.
- For use with mud-in plaster construction only, supplied with mud flange installation kit. See page 5 for FLANGE TYPE DETAILS. Not available with ATH or IP options.
- Not available with WH Reflector Finish, L or S Trim Types.
- L and R Trim Types only.
- Not available with O trim type. W distribution only.
- Not available with O trim type. W distribution only.
- O Trim Type only. WET/CC standard. L50 lumen package max.
- L50 lumen package max with O Trim Type.
- WH and BL Reflector Finishes only. Not available with S Trim Type.
- R Trim Type only. Not available with MWT.
- Mounting hardware required (N and I only), ordered separately, see MOUNTING HARDWARE ordering info. See page 5 for MOUNTING TYPE DETAILS.
- Additional mounting hardware options available. See page 6 for MOUNTING HARDWARE DETAILS.
- L20 lumen package max. L30 available, wide distribution only for lensed trims.
- Also used in new construction sheetrock ceilings.
- N and I Mounting Types only. I Mounting requires external brackets.
- N Mounting Type only
- N Mounting Type only



4DR LED 4.5" Downlight – Round

FIXTURE PERFORMANCE DATA

OPEN REFLECTOR TRIM TYPE

	DIST.	DELIVERED LUMENS	WATTAGE	EFFICACY (lm/W)
L10	W	1027	9.0	113.6
	M	999	9.0	110.5
	N	1000	9.0	110.6
L15	W	1466	13.9	105.8
	M	1471	13.9	106.2
	N	1473	13.9	106.3
L20	W	2005	19.8	101.0
	M	2002	19.8	101.0
	N	2004	19.8	101.1
L30	W	2985	27.8	107.3
	M	2900	27.8	104.2
	N	2734	27.8	98.3
L40	W	3979	38.0	104.7
	M	3865	38.0	101.7
	N	3644	38.0	95.9
L50	W	5124	45.2	113.4
	M	4956	45.2	109.6
	N	4818	45.1	106.8
L60	W	6157	58.6	105.0
	M	5955	58.6	101.6
	N	5789	58.6	98.8

FLUSH LENS TRIM TYPE

	DIST.	DELIVERED LUMENS	WATTAGE	EFFICACY (lm/W)
L10	W	674	9.0	74.6
	M	895	9.0	99.0
	N	914	9.0	101.2
L15	W	994	13.9	71.7
	M	1319	13.9	95.1
	N	1347	13.9	97.2
L20	W	1352	19.8	68.3
	M	1794	19.8	90.6
	N	1833	19.8	92.6
L30	W	2022	27.8	72.7
	M	2683	27.8	96.5
	N	2741	27.8	98.6
L40	W	2695	38.0	70.9
	M	3577	38.0	94.1
	N	3654	38.0	96.2
L50	W	3364	45.2	74.4
	M	-	-	-
	N	-	-	-
L60	W	4042	58.6	69.0
	M	-	-	-
	N	-	-	-

REGRESSED LENS TRIM TYPE

	DIST.	DELIVERED LUMENS	WATTAGE	EFFICACY (lm/W)
L10	W	660	9.0	73.0
	M	895	9.0	99.1
	N	882	9.0	97.7
L15	W	972	13.9	70.2
	M	1319	13.9	95.2
	N	1300	13.9	93.8
L20	W	1323	19.8	66.2
	M	1795	19.8	90.8
	N	1769	19.8	88.5
L30	W	1979	27.8	71.1
	M	2685	27.8	96.5
	N	2646	27.8	95.1
L40	W	2638	38.0	69.4
	M	3579	38.0	94.2
	N	3527	38.0	92.8
L50	W	3292	45.2	72.8
	M	-	-	-
	N	-	-	-
L60	W	3955	58.6	67.5
	M	-	-	-
	N	-	-	-

MULTIPLIER TABLES

	COLOR TEMPERATURE	
	CCT	CONVERSION FACTOR
80 CRI	2700K	0.92
	3000K	0.98
	3500K	1.00
	4000K	1.01
	5000K	1.02
90 CRI	2700K	0.76
	3000K	0.79
	3500K	0.82
	4000K	0.84
	5000K	0.88

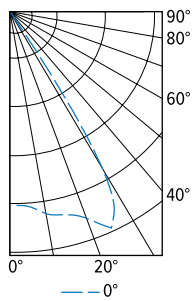
	REFLECTOR FINISH	
	CATALOG NUMBER	CONVERSION FACTOR
O TRIM	CS	1.00
	SG ¹	0.92
	GD	0.93
	CG	0.96
	PW	0.86
	SPC	1.02
	RG	0.88
	WH ¹	0.89
BL ¹	0.47	
R TRIM	WH	1.00
	CS	0.98
	BL	0.79

	TRIM	
	CATALOG NUMBER	CONVERSION FACTOR
S	0.85	
AD	0.85	
PD	0.85	
TD	0.75	
WET/CC ²	0.85	

- Distribution will also be affected, consult factory.
 - Use multiplier when specified with O Trim Type.
- Photometrics tested in accordance with IESNA LM-79. Results shown are based on 25°C ambient temperature.
 - Wattage shown is based on 120V input.
 - Results based on 3500K, 80 CRI, actual lumens may vary +/-5%
 - Use multiplier tables to calculate additional options.

PHOTOMETRY

4DR-TL-L20/835-DIM-UNV-OW-OF-CS Report #: 20685; 12/13/18 | Total Luminaire Output: 2005 lumens; 19.8 Watts | Efficacy: 101.0 lm/W | 83.1 CRI; 3472K CCT



CANDLEPOWER DISTRIBUTION	VERTICAL ANGLE	HORIZONTAL ANGLE	ZONAL LUMENS
		0°	
	0	1810	
	5	1864	178
	15	1960	556
	25	2231	1033
	35	307	193
	45	44	35
	55	11	10
	65	1	1
	75	0	0
	85	0	0
	90	0	0

LUMEN SUMMARY	ZONE	LUMENS	% FIXTURE
	0 - 40	1959	98
	0 - 60	2004	100
	0 - 90	2005	100
	0-180	2005	100



THE EDGE® Series

LED Pathway Luminaire

TYPE SG

Rev. Date: V7 02/17/2020

Product Description

Durable die-cast aluminum luminaire housing mounts directly to 4" (102mm) diameter pole (included) without visible mounting hardware for clean appearance. Pole mounts to rugged die cast aluminum internal flange secured by three 3/8" - 16x6" anchor bolts with 1-1/4" hook (provided). **Note:** T45 Torx 3/8" socket required for head installation. Top mounted LEDs for superior optical performance and light control.

Applications: Landscape, walk-ways and general site lighting

Performance Summary

Patented NanoOptic® Product Technology

Assembled in the U.S.A. of U.S. and imported parts

CRI: Minimum 70 CRI

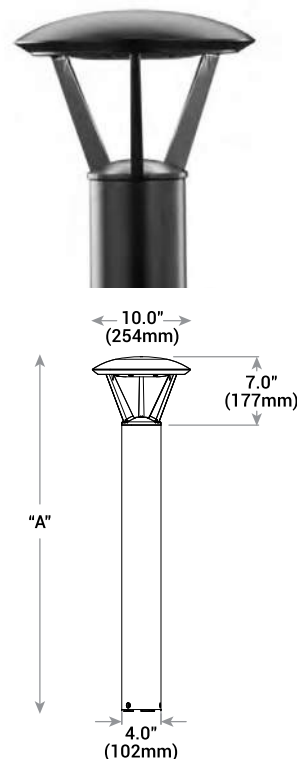
CCT: 4000K (+/- 300K), 5700K (+/- 500K) standard

Limited Warranty*: 10 years on luminaire/10 years on Colorfast DeltaGuard® finish

* See <http://creelighting.com/warranty> for warranty terms

Accessories

Field-Installed
Upgrade Kit - Used for replacement of existing bollards with a bolt hole circle of 5.75" [146mm] XA-XBP8RSV XA-XBP8RWH XA-XBP8RBK XA-XBP8RBZ



Model	Dim. "A"	Weight*
Landscape [P0]	13" [330mm]	12.7 lbs. [5.8kg]
Landscape [P1]	18" [457mm]	13.3 lbs. [6.0kg]
Pathway [P3]	36" [914mm]	17.9 lbs. [8.1kg]
Pathway [P4]	42" [1068mm]	18.6 lbs. [8.4kg]
Pedestrian [P8]	96" [2438mm]	28.4 lbs [12.9kg]

* Add 4.5 lbs. [2.0kg] for 347-480V

Ordering Information

Example: PWY-EDG-2M-P0-02-E-UL-SV-350

PWY-EDG	Optic	Mounting	LED Count (x9)	Series	Voltage	Color Options	Drive Current	Options
PWY-EDG	2M Type II Medium 3M Type III Medium 5M Type V Medium 5S Type V Short	P0 13" [330mm] landscape P1 18" [457mm] landscape P3 36" [914mm] pathway P4 42" [1067mm] pathway P8 96" [2438mm] pedestrian	02	E	UL Universal 120-277V UH* Universal 347-480V - Available with P3, P4, and P8 mounts only 12 120V - Available only with TL options 27 277V - Available only with TL options	BK Black BZ Bronze SV Silver WH White	350 350mA 525 525mA - Available with P1, P3, P4, and P8 mounts only	HL Hi/Low (Dual Circuit Input) - Available with UL voltage and 525mA driver current only - Must specify 525mA drive current - Refer to HL spec sheet for details - Sensor not included TL Two-Level (175/525 w/integrated sensor control) - Available with 12 or 27 voltages only - Must specify 525mA drive current - Refer to TL spec sheet for details TL2 Two-Level (0/350 w/integrated sensor control) - Available with 12 or 27 voltages only - Must specify 350mA drive current - Refer to TL spec sheet for details TL3 Two-Level (0/525 w/integrated sensor control) - Available with 12 or 27 voltages only - Must specify 525mA drive current - Refer to TL spec sheet for details WB Welded Base Plate - Standard on P8 mount option, available with P3 and P4 mount - Includes welded base cover 40K 4000K Color Temperature - Minimum 70 CRI - Color temperature per luminaire

* 347-480V utilizes magnetic step-down transformer. For input power for 347-480V, refer to the Electrical Data table



US: creelighting.com (800) 236-6800

Canada: creelighting-canada.com (800) 473-1234

Product Specifications


CONSTRUCTION & MATERIALS

- Durable die-cast aluminum luminaire housing mounts directly to 4" (102mm) diameter pole (included) without visible mounting hardware for clean appearance
- Pole mounts to rugged die cast aluminum internal flange secured by three 3/8"-16x6" anchor bolts with 1-1/4" hook (provided).
Note: T45 Torx 3/8" socket required for head installation
- Top mounted LEDs for superior optical performance and light control
- Open design, passive thermal management for superior lumen maintenance
- Exclusive Colorfast DeltaGuard® finish features an E-Coat epoxy primer with an ultradurable powder topcoat, providing excellent resistance to corrosion, ultraviolet degradation and abrasion. Black, bronze, silver and white are available
- **Weight:** See Dimension and Weight Chart on pages 1 and 4

ELECTRICAL SYSTEM

- **Input Voltage:** 120-277V or 347-480V, 50/60Hz, Class 1 drivers
- **Power Factor:** > 0.9 at full load at 120V
- **Total Harmonic Distortion:** < 20% at full load at 120V
- Integral 10kV surge suppression protection standard
- When code dictates fusing, a slow blow fuse or type C/D breaker should be used to address inrush current
- Consult factory if in-luminaire fusing is required

REGULATORY & VOLUNTARY QUALIFICATIONS

- cULus Listed
- Suitable for wet locations
- ANSI C136.2 10kV surge protection, tested in accordance with IEEE/ANSI C62.41.2
- Luminaire and finish endurance tested to withstand 5,000 hours of elevated ambient salt fog conditions as defined in ASTM Standard B 117
- Meets Buy American requirements within ARRA
- RoHS compliant. Consult factory for additional details
-  **CA RESIDENTS WARNING:** Cancer and Reproductive Harm – www.p65warnings.ca.gov

Electrical Data*								
LED Count (x9)	System Watts 120-277V	System Watts 347-480V	Total Current (A)					
			120V	208V	240V	277V	347V	480V
350mA								
02	22	28	0.18	0.12	0.10	0.10	0.09	0.13
525mA								
02	34	40	0.29	0.19	0.17	0.15	0.12	0.13

* Electrical data at 25°C (77°F). Actual wattage may differ by +/- 10% when operating between 120-277V or 347-480V +/- 10%

THE EDGE® Series Ambient Adjusted Lumen Maintenance ¹					
Ambient	Initial LMF	25K hr Reported ² LMF	50K hr Reported ² LMF	75K hr Estimated ³ LMF	100K hr Estimated ³ LMF
5°C (41°F)	1.04	1.01	1.00	1.00	1.00
10°C (50°F)	1.03	1.00	0.99	0.99	0.99
15°C (59°F)	1.02	0.99	0.98	0.98	0.98
20°C (68°F)	1.01	0.98	0.97	0.97	0.96
25°C (77°F)	1.00	0.96	0.96	0.96	0.95

¹ Lumen maintenance values at 25°C (77°F) are calculated per IES TM-21 based on IES LM-80 report data for the LED package and in-situ luminaire testing. Luminaire ambient temperature factors (LATF) have been applied to all lumen maintenance factors. Please refer to the [Temperature Zone Reference Document](#) for outdoor average nighttime ambient conditions.

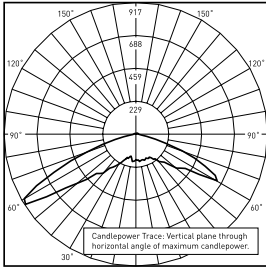
² In accordance with IES TM-21, Reported values represent interpolated values based on time durations that are up to 6x the tested duration in the IES LM-80 report for the LED.

³ Estimated values are calculated and represent time durations that exceed the 6x test duration of the LED.

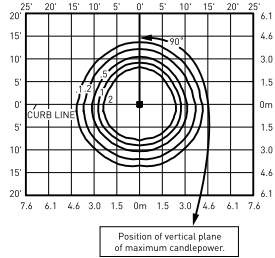
Photometry

All published luminaire photometric testing performed to IES LM-79-08 standards. To obtain an IES file specific to your project consult: <http://creelighting.com/products/outdoor/bollards-and-pathway/cree-edge-pathway>

55



RESTL Test Report #: PL5759-001
 PWY-EDG-5S-**-02-E-UL-350-40K
 Initial Delivered Lumens: 1,897



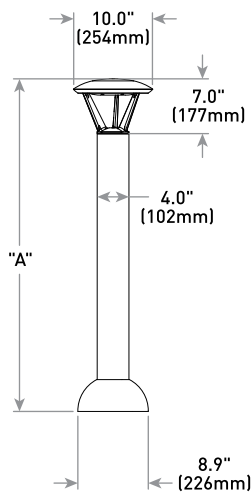
PWY-EDG-5S-**-02-E-UL-350-40K
 Mounting Height: 3' [0.9m] A.F.G.
 Initial Delivered Lumens: 1,868
 Initial FC at grade

Type V Short Distribution				
LED Count (x9)	4000K		5700K	
	Initial Delivered Lumens*	BUG Ratings** Per TM-15-11	Initial Delivered Lumens*	BUG Ratings** Per TM-15-11
350mA				
02	1,868	B1 U2 G1	1,940	B1 U2 G1
525mA				
02	2,615	B1 U2 G1	2,716	B1 U2 G1

* Initial delivered lumens at 25°C (77°F). Actual production yield may vary between -10 and +10% of initial delivered lumens

** For more information on the IES BUG (Backlight-Uplight-Glare) Rating visit: <https://www.ies.org/wp-content/uploads/2017/03/TM-15-11BUGRatingsAddendum.pdf>

with Welded Base



Model	Dim. "A"	Weight*
Pathway (P3)	36" [914mm]	17.9 lbs. [8.1kg]
Pathway (P4)	42" [1068mm]	18.6 lbs. [8.4kg]
Pedestrian (P8)	96" [2438mm]	28.4 lbs [12.9kg]

* Add 4.5 lbs. (2.0kg) for 347-480V

LUMINAIRE CUT SHEETS INCLUDED FOR
REFERENCE ONLY



MIST

TYPE SB

1224BZ

MEDIUM WALL MOUNT LANTERN

The sleek design of the Mist collection discreetly emphasizes its contemporary heritage. Featuring a prominent interior panel of clear seedy glass captured on both ends and encased in a protective clear acrylic cylinder. Its solid aluminum construction is underscored by bold Satin Black, Bronze or Titanium finish options. Mist is both Dark Sky and ADA compliant.

DETAILS	
FINISH:	Bronze
MATERIAL:	Aluminum
GLASS:	Clear Acrylic Outside Cylinder & Seedy Glass Inside Panel

DIMENSIONS	
WIDTH:	4.8"
HEIGHT:	22"
WEIGHT:	5 lbs.
BACK PLATE:	4.75" Sq.
EXTENSION:	4"
TOP TO OUTLET:	11"

LIGHT SOURCE	
LIGHT SOURCE:	Socket
WATTAGE:	1-35w GU10
VOLTAGE:	120v

SHIPPING	
CARTON LENGTH:	8"
CARTON WIDTH:	8"
CARTON HEIGHT:	26"
CARTON WEIGHT:	6 lbs.

PRODUCT DETAILS:

- Mounting hardware is hidden on the backplate to ensure a clean silhouette.
- Suitable for use in wet (interior direct splash and outdoor direct rain or sprinkler) locations as defined by NEC and CEC. Meets United States UL Underwriters Laboratories & CSA Canadian Standards Association Product Safety Standards
- Fixture is Dark Sky compliant and engineered to minimize light glare upward into the night sky.
- Fixture is ADA compliant and adheres to the standards and guidelines listed by the Americans with Disabilities Act.
- 2 year finish warranty
- Bold lines and a clean, minimalist style complement contemporary architecture
- Warm rich light bronze tone

DISTRICT LED

Wall mounted • Wet location listed



Specifications:

Description:

The one-light large LED outdoor wall lantern from the District Collection features metal shade that offers an industrial-inspired design. The versatile vintage form can be used in indoor and outdoor applications.

Construction:

- Antique Bronze (-20) (painted)
- Aluminum construction
- LED Module is replaceable (Part # 93054049)
- Flicker-free dimming to 10% brightness with most ELV type dimmers (See Dimming Notes)
- CA Title 24 compliant
- Back plate covers a standard 4" hexagonal recessed outlet box
- Mounting strap for outlet box included
- 6" of wire supplied

Performance:

Number of Modules	1
Input Power	9W
Input Voltage	120V
Input Frequency	60Hz
Lumens/LPW	623/69.2 (LM-79) per module
CCT	3000K
CRI	90
Life	60000 (L70/TM-21)
EMI/RFI	FCC Title 47, Part 15, Class B
Min. Start Temp	-30
Max. Operating Temp	30
Warranty	5 year warranty
Labels	cCSAus Wet location listed ENERGY STAR® qualified

P5623-2030K9

Images:



Dimensions:

Width: 12"
 Height: 10-1/2"
 Depth: 13-1/4"
 H/CTR: 5"

Catalog number:

Base	Finish	Color Temp	CRI
P5623	20 - Antique Bronze	30K - 3000K	9 - 90 CRI

P5623-2030K9**Dimming Notes:**

P5623 is designed to be compatible with many Electronic Low Voltage (ELV-Reverse Phase) controls.

The following is a partial list of known compatible dimmer controls:

Electronic Low Voltage ELV Reverse Phase Controls

Lutron	Diva Series	(Part Number DVELV-300P)
--------	-------------	--------------------------

Digital type dimmers are not recommended.

Dimming capabilities will vary depending on the dimmer control, load, and circuit installation.
Always refer to dimmer manufacturer instructions or a controls specialist for specific requirements.

Dimmer control brand names where identified above are trade names or registered trademarks of each respective company.